

HIGH SECURITY SANITARYWARE

Conventional safe-ensuite sanitaryware, apart from being extremely heavy and difficult to handle/manoeuvre, can be broken and shatter producing dangerous shards of material for self harm or harm to others.

Anti-vandal, anti-ligature and fire resistance tested by The Home Office

This special High Security sanitaryware has excellent high impact resistance and will not shatter. The techniques employed to construct these high security products are used in the fields of ballistic armour.

The surface is a high grade polyester gel coat which produces high chemical & ultraviolet resistance.

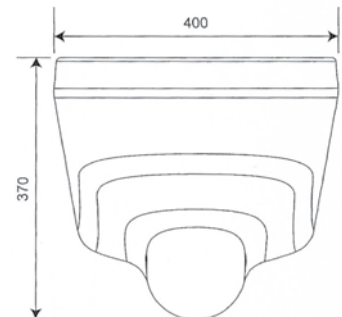
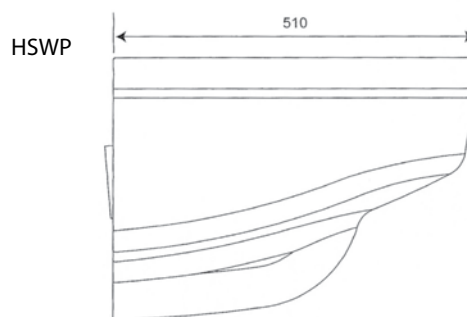
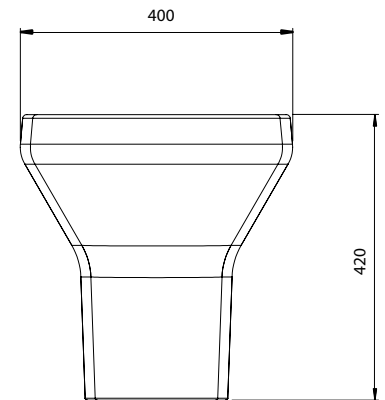
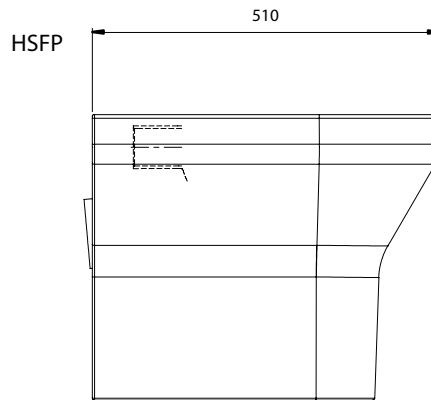
It is also much lighter (and therefore easier to manoeuvre/handle for installers) than most conventional safe-ensuite sanitaryware; for example the WC pan weighs under 20 kg

Ideal for Prisons, Police Cells, Mental Health Units and other custodial/municipal applications where vandalism is a high risk.

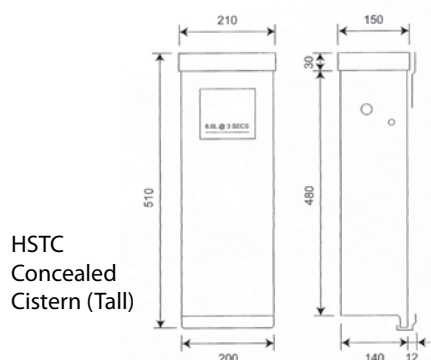
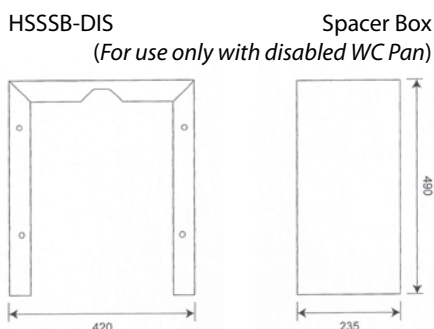


High Security WC Pans

Features: concealed rear waste outlet • optional side in-fills
large trap to reduce blockages • optional (taller) disabled WC Pan



Standard fixing kit is for 100mm wall thickness. If wall is thicker than 100mm please confirm total wall thickness as you will need optional extension threads.



Order Codes:	Product description
HSFP	Floor standing WC Pan
HSFP-DIS	Disabled WC Pan (60mm higher than standard pan)
HSSSB-DIS	Disabled White Steel Spacer Box
HSWP	Wall Hung WC Pan
HSTC	Tall WC Cistern Kit (2" Base)

High Security Basin & Backplates

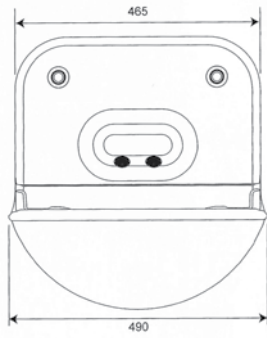
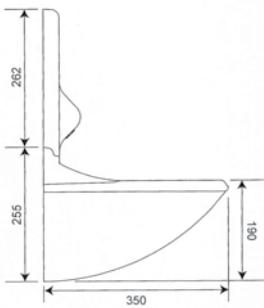
Features: **concealed rear waste outlet** • **loose rubber plug (no chain)**

Basin c/w 70mm Fixing Kit. Backplates include spouts. Optional extension threads available for thicker walls

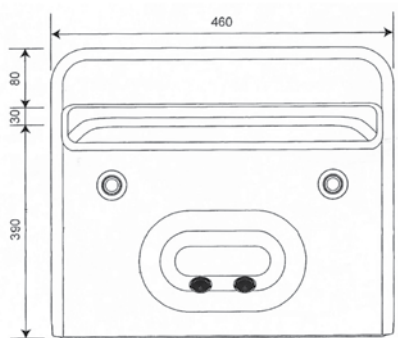
Backplates do not include sensors or touchpads. These need to be ordered separately



HSWHB-BP-COMPLETE



HSWHB-BP-Shelf



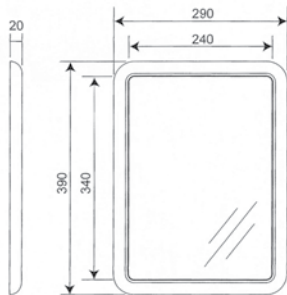
Order Codes:
HSWHB
HSWHB-BP-COMPLETE

Product Description
High Security Basin (only)
Basin & Standard Backplate

Order Codes:
HSWHB-BP
HSWHB-BP-Shelf

Product Description
Standard Backplate for Basin
Optional Backplate with Shelf

HSM
Shatterproof
mirror



Accessories

Order Codes:
HSM
HSWG
HSRP

Product description
Shatterproof High
Security Mirror
Waste Grid
Replacement rubber plug

High Security Backplates for use with your own bath/basin

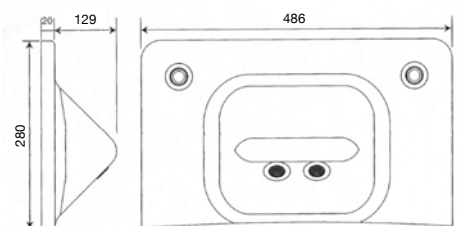
With longer spout projection



HSBP-BASIN
(c/w 5Lpm flow regulator)



HSBP-BATH
(c/w no flow regulator to ensure high flow)



Order Codes:
HSBP-BASIN
HSBP-BATH

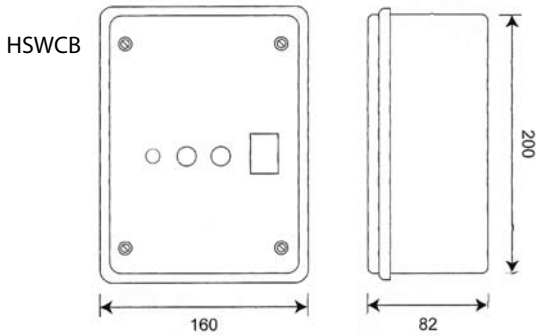
Product description
Remote Backplate
for Basin
Remote Backplate
for Bath

ENSUITE WASHROOM CONTROL SYSTEMS

Ensuite Washroom Control System features:

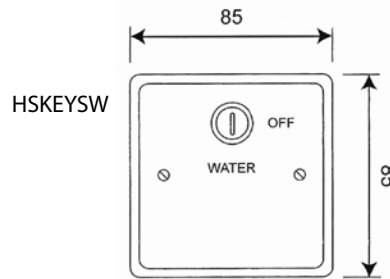
- single control box can control a basin with 2 spouts, a WC and a shower
- anti-ligature no-touch sensor (or optional electronic touchpad switch) operation
- optional lock-out facility
- optional purge facility

Washroom Control Box



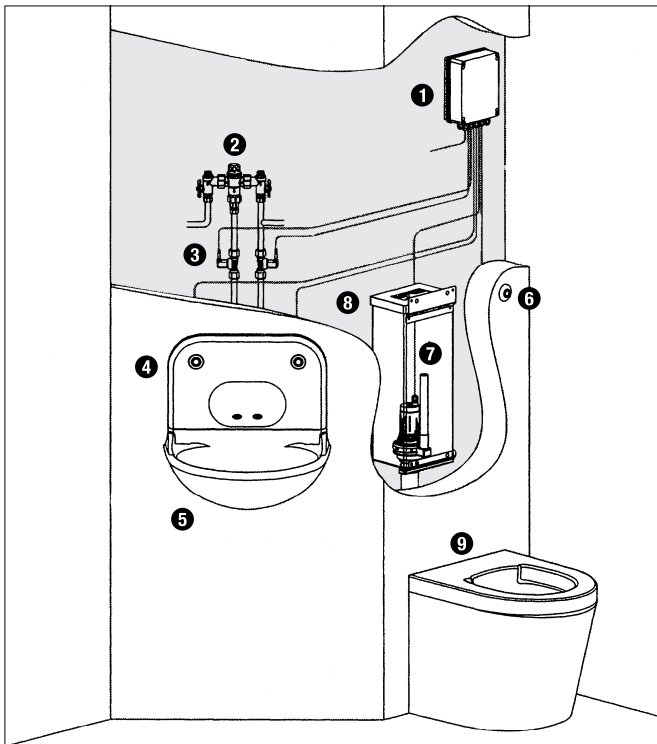
Order Code:	Product Description
HSWCB	Washroom Control Box (with controls for WC, Basin & Shower)

Remote Key Switch



Order Code:	Product Description
HSKEYSW	Water control key switch c/w 5m cable (suitable for use with washroom control system for isolating water or re-setting lockouts)

Ensuite Control Package 1—High Risk (excluding shower)



Order Code:
Ensuite Control Package 1 - High Risk

Package 1 includes:

1. Washroom Control Box
2. 15mm TMV3 Thermostatic Mixing Valve c/w strainers and check valves
3. 2 No. 15mm Solenoid Valves
4. High Security Standard Backplate (and 2 No. Sensors; 1 for hot water, 1 for cold water)
5. High Security Basin
6. WC anti-Vandal wave-on Sensor
7. WC Flushvalve
8. Concealed Cistern Kit
9. High Security WC Pan

Does not include sensor and valve for shower

Fig. 1 WC and Basin

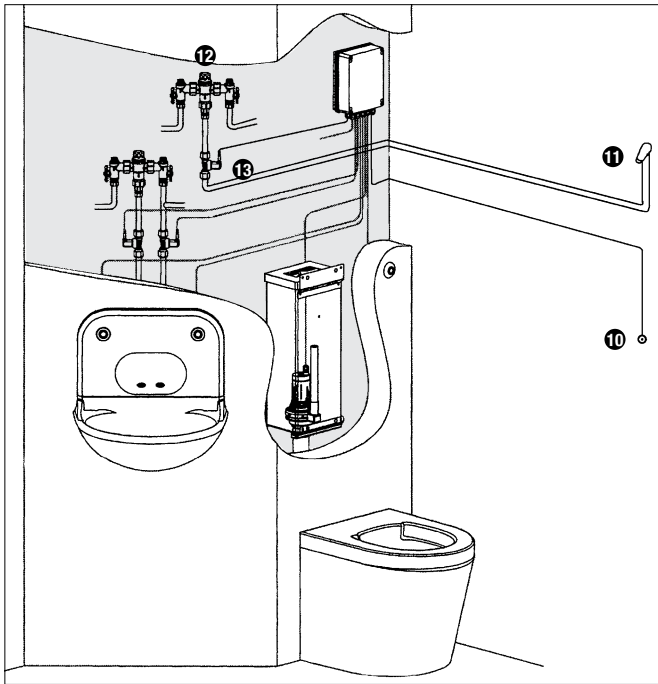
Optional extras for Ensuite Control Packages:

a. Panel or Wall? Standard product is designed to fit through a normal thin panel. If fitting through a thick brick wall you will require optional extension threads. If in doubt please confirm total wall thickness so we can price for any relevant extension threads required.

b. Water Pressure/Solenoid Valves. The standard solenoid valves supplied are 15mm size and rated for water pressure 0.5 bar – 6 bar. We do offer optional low pressure solenoid valves, so if required please confirm actual water pressure on site so we can advise/quote for the relevant low pressure solenoid valves.

c. "No-touch Sensor" or optional electronic "Touchpad Switch" operation. Standard kit supplied is anti-ligature no touch sensor. If you prefer anti-ligature touchpad switches please advise.

Ensuite Control Package 2—High Risk (including shower)



Order Code:

Ensuite Control Package 2 - High Risk

Package 2 includes everything in Package 1, but also includes:

- 10. Shower Sensor for Showerhead
- 11. Vandal Resistant Showerhead
- 12. Additional 15mm TMV3 Mixing Valve c/w Strainers and Check Valves
- 13. Additional 15mm Solenoid Valve

Optional extras as Package 1 on page 3

Fig. 2 WC, Basin and Shower

If you do not want a complete Ensuite Package – eg you only want to use a high security backplate with your own basin – we can offer individual “No-Touch” sensor (or electronic touchpad) controls suitable for our high security backplates.

Mains Powered Kits

Basin Backplate Controls—Mains powered

TPTS-M/HP/Basin Backplate Sensor kit

TPTS-M/HP/Basin Backplate Touchpad kit

Each kit c/w: 1 × control box with integral 12v PSU, 2 × 15mm HP 12v solenoid valves, 2 × pre-wired sensors or touchpads (1 red, 1 blue). **Standard High Pressure (HP)** 12v solenoid valves rated for water pressure 0.5 bar – 6 bar. **Optional Low Pressure (LP)** version with solenoid valves rated for 0 bar – 0.5 bar

Bath Backplate Controls—Mains powered

TPTS-M/HP/Bath Backplate Sensor kit

TPTS-M/HP/Bath Backplate Touchpad kit

Battery Powered Kits

Basin Backplate Controls—Battery powered

TPTS-B/HP/Basin Backplate Sensor kit

TPTS-B/HP/Basin Backplate Touchpad kit

Each kit c/w: 1 × control box & battery pack, 2 × 15mm HP 6v solenoid valves, 2 × pre-wired sensors or touchpads (1 red, 1 blue). **Standard High Pressure (HP)** 6v solenoid valves rated for water pressure 0.75 bar – 10 bar. **Optional Low Pressure (LP)** version with solenoid valves rated for 0 bar – 1.5 bar. **Optional Very Low Pressure (VLP)** version with solenoid valves rated for 0 bar – 0.5 bar

Bath Backplate Controls—Battery powered

TPTS-B/HP/Bath Backplate Sensor kit

TPTS-B/HP/Bath Backplate Touchpad kit

TPTS Control Box

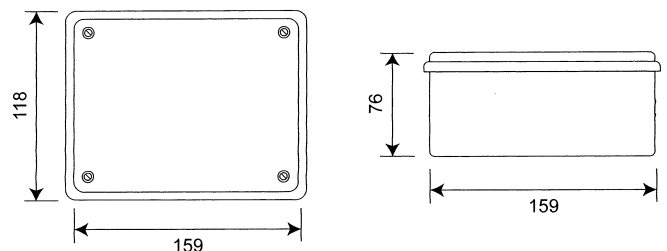
Basin

Bath

Adjustable Valve Open Time

6 seconds – 20 seconds

1 minute – 8 minutes



ROBERT PEARSON & COMPANY LTD

Post Office House, Post Office Lane
Stockton, Warminster
Wiltshire BA12 0SE

Telephone: (01985) 850954

Facsimile: (01985) 850112

E-Mail: sales@robertpearson.co.uk

Website: www.robertpearson.co.uk