

ANTI-LIGATURE & VANDAL RESISTANT TAP SPOUTS & SHOWER HEADS

Ideal for Custodial/Mental Health applications as well as Public/Commercial applications where vandalism might be a risk.

Panel Mounted Models

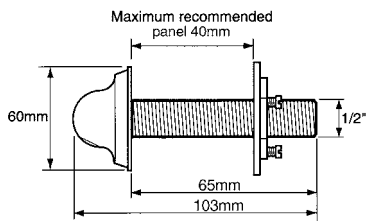
Anti-Ligature Tap Spouts and Anti-Ligature Shower Heads

- Made from brass with a nickel plated finish
- Suitable for water pressures from: minimum 0.5 Bar – maximum 6.0 Bar
- Spray angle: 25°
- Integral water flow regulator – 6 Lpm for Spout, 8 Lpm for Shower Head
- Anti-rotation plate prevents people moving/rotating the spout once it has been installed

Panel Mounted Version

(suitable for panels up to 40mm thick)

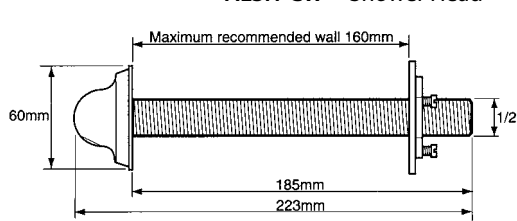
Order Codes: **ALBS-PM** Basin Spout
ALSH-PM Shower Head



Cross Wall Mounted Version

(suitable for walls up to 160mm thick)

Order Codes: **ALBS-CW** Basin Spout
ALSH-CW Shower Head

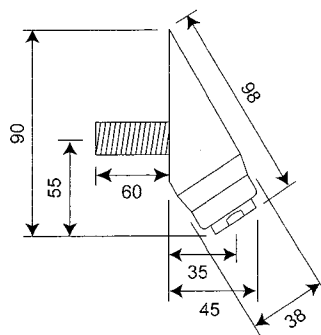


Vandal Resistant Stainless Steel Tap Spout



Panel Mounted

Order Code:
VRTS-PM Tap Spout

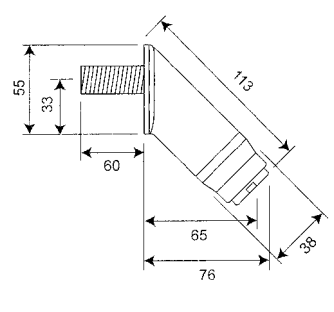


Vandal Resistant Stainless Steel Bath Spout



Panel Mounted

Order Code:
VRBS-PM Bath Spout
VRBS(Tap)-PM Tap Spout

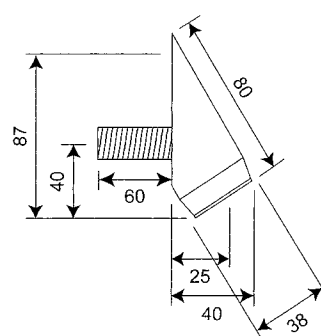


Vandal Resistant Stainless Steel Shower Head



Panel Mounted

Order Code:
VRSH-PM Shower Head



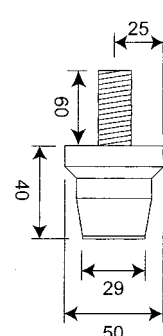
Ceiling Mounted Model

Anti-Ligature Shower Head



Ceiling Mounted

Order Code:
ALCMSH-PM Shower Head



Use our Anti-Ligature "TPTS" model remote "No-Touch" Sensors or electronic Touchpad Switches to control the water flow to these spouts.

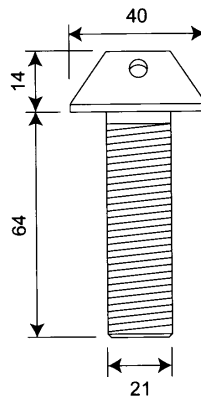
We offer optional extension threads if fitting spout / showerhead through a brick wall. Please advise of total wall thickness when enquiring.

Deck/Basin Mounted Model

Anti-Ligature Stainless Steel Basin Spout



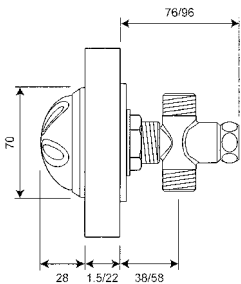
Order Code:
ALT-DM



Temperature Blending Valve (Manually Adjustable)

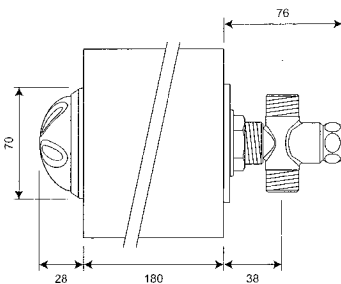
In public areas using a TMV2/3 Thermostatic Mixing Valve (set at 40°C approx.) is considered suitable to provide safe pre-mixed warm water to an appliance (tap, shower etc). The temperature is not adjustable by the public, only by the building manager.

If however you want to offer your customer the ability to manually adjust the temperature of the water between say 40°C and cold, then this robust & tamper proof Temperature Blending Valve should be used (NB: We would strongly recommend that you also use a Thermostatic Mixing Valve to safely control the maximum water temperature into the Temperature Blending Valve). We can also supply TMV3 Mixing Valves.



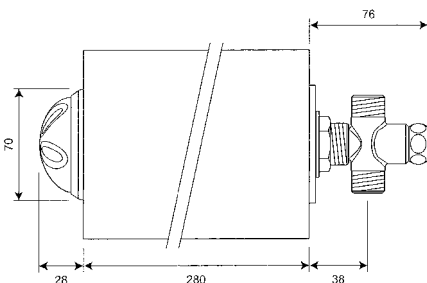
Order Code
TBV/ADJ/22

Application
For 1.5mm – 22mm wall thickness.
Fixing 3/4" BSP.
(28mm Ø clearance drill hole)



Order Code
TBV/ADJ/180

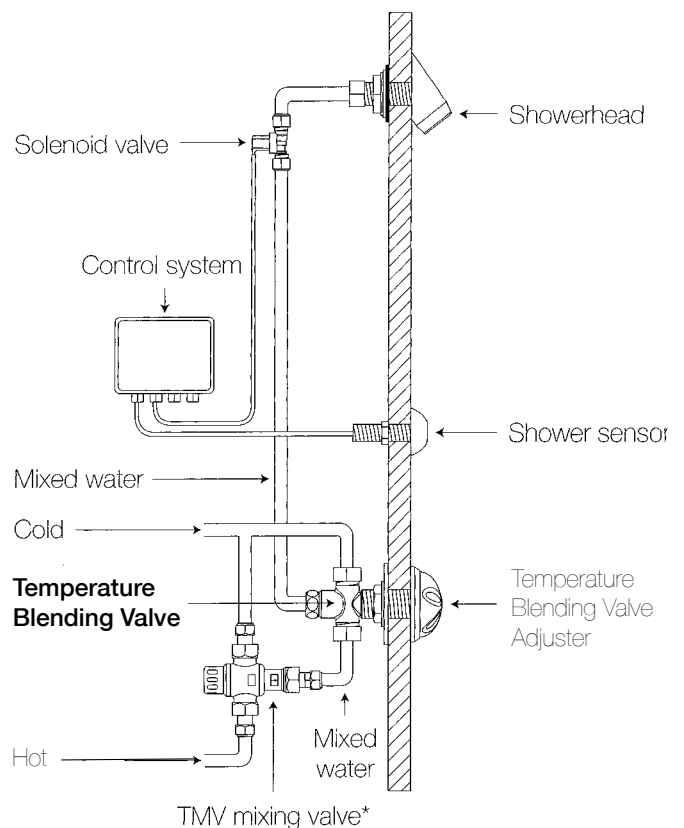
Application
For up to 180mm wall thickness.
Fixing 3/4" BSP.
(28mm Ø clearance drill hole)



Order Code
TBV/ADJ/280

Application
For up to 280mm wall thickness.
Fixing 3/4" BSP.
(28mm Ø clearance drill hole)

Typical Installation: Plumbing guidelines for Shower using Temperature Blending Valve



ROBERT PEARSON & COMPANY LTD

Post Office House, Post Office Lane
Stockton, Warminster
Wiltshire BA12 0SE

Telephone: (01985) 850954

Facsimile: (01985) 850112

E-Mail: sales@robertpearson.co.uk

Website: www.robertpearson.co.uk