

AUTOMATIC TAP, SHOWER & BATH CONTROLS

You choose the appliance and let our sensor take control



Water Saving

Adjustable valve open timer allows you to optimise water usage.
Turns water off automatically after use.

Anti-Ligature & Vandal Resistant

Ideal for custodial/mental health/public & commercial applications.

Stylish & Discreet

Designers can choose their own appliance. Sensor is fitted remotely. You can also set the system so you can activate the sensor once to turn the water on and then activate the sensor again to override the pre-set time and turn the water off immediately.

Optional Purge Facility & Optional Lock-Out Facility

“Purge Facility” allows you to set the tap to come on automatically if it has not been normally operated for more than a 24 hour period (to help prevent dead legs).

“Lock-Out Facility” causes the tap/shower to stop working (will automatically re-set itself after 15 minutes) if the tap has been operated more than 4 times in 15 minutes.

“No Touch” Hygienic Sensor Operation

Simply put your hand within 50mm (2”) of the sensor to turn water on

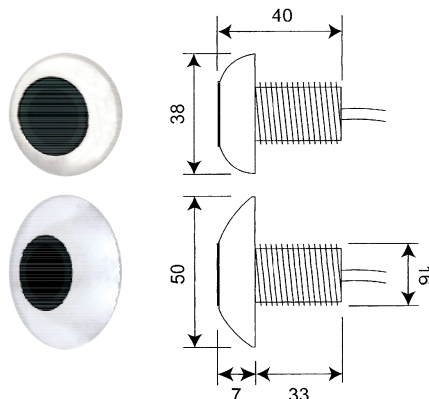
Tap Sensors



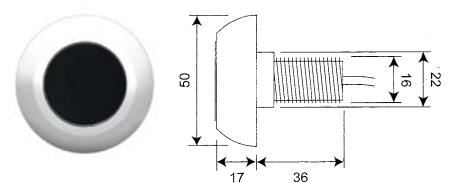
Tap sensors c/w chrome bezel as standard but optional stainless steel bezels also available.

Tap sensors c/w 3 metre cable.

Optional blue or red backing discs to show cold or hot water eg if using 2 sensors at a single basin (1 for hot water, 1 for cold water).



Waterproof Sensor for Baths, Showers (and Taps)



Waterproof chrome bath / shower sensor c/w 8 metre cable.

Sensor Kit Order Codes

c/w Standard High Pressure (HP) solenoid valves; see Low Pressure (LP) options *on reverse*

TAP Control – Mains powered

TPTS-M/HP/1 Tap Sensor kit
TPTS-M/HP/2 Tap Sensor kit

TAP Control – Battery powered

TPTS-B/HP/1 Tap Sensor kit
TPTS-B/HP/2 Tap Sensor kit

SHOWER Control– Mains powered

TPTS-M/HP/1 Shower Sensor kit
TPTS-M/HP/2 Shower Sensor kit

SHOWER Control – Battery powered

TPTS-B/HP/1 Shower Sensor kit
TPTS-B/HP/2 Shower Sensor kit

BATH Control– Mains powered

TPTS-M/HP/1 Bath Sensor kit
TPTS-M/HP/2 Bath Sensor kit

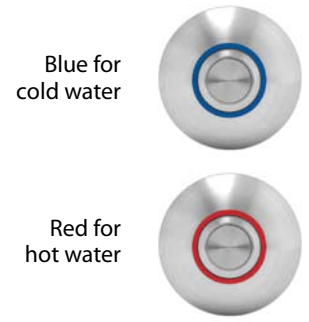
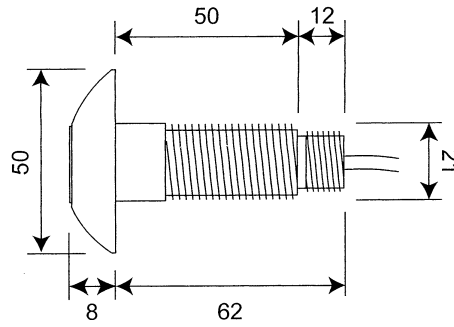
BATH Control – Battery powered

TPTS-B/HP/1 Bath Sensor kit
TPTS-B/HP/2 Bath Sensor kit

1 sensor kit = 1 x control box, 1 x 15mm WRAS approved solenoid valve, 1 x pre-wired sensor
2 sensor kit = 1 x control box, 2 x 15mm WRAS approved solenoid valves, 2 x pre-wired sensors

Electronic Touchpad Switch Operation

Simply press the stainless steel Touchpad Switch to turn water on



Electronic Touchpad c/w 3 metre cable. Available with blue insert for cold water; red insert for hot water

Touchpad Kit Order Codes

c/w Standard High Pressure (HP) solenoid valves; see Low Pressure (LP) options below

TAP Control – Mains powered

TPTS-M/HP/1 Tap Touchpad kit
TPTS-M/HP/2 Tap Touchpad kit

TAP Control – Battery powered

TPTS-B/HP/1 Tap Touchpad kit
TPTS-B/HP/2 Tap Touchpad kit

SHOWER Control– Mains powered

TPTS-M/HP/1 Shower Touchpad kit
TPTS-M/HP/2 Shower Touchpad kit

SHOWER Control – Battery powered

TPTS-B/HP/1 Shower Touchpad kit
TPTS-B/HP/2 Shower Touchpad kit

BATH Control– Mains powered

TPTS-M/HP/1 Bath Touchpad kit
TPTS-M/HP/2 Bath Touchpad kit

BATH Control – Battery powered

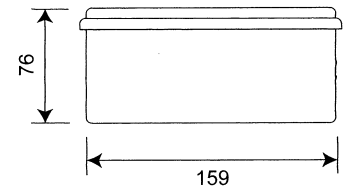
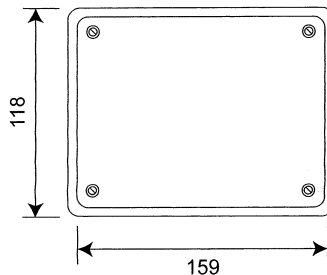
TPTS-B/HP/1 Bath Touchpad kit
TPTS-B/HP/2 Bath Touchpad kit

1 touchpad kit = 1 x control box, 1 x 15mm WRAS approved solenoid valve, 1 x pre-wired touchpad switch

2 touchpad kit = 1 x control box, 2 x 15mm WRAS approved solenoid valves, 2 x pre-wired touchpad switches

Control Box

Control Box	Adjustable Valve Open Time
Tap	6 seconds – 20 seconds
Shower	30 seconds – 3 minutes
Bath	1 minute – 10 minutes



Special Options – Please call to discuss these options before ordering:

- If you want, you can mix control boxes. EG if you want a shower control kit with a longer than 3 minute valve open time, you can use a Bath control box which allows you up to a 10 minute valve open time.
- It is possible to use 1 No. sensor to control 2 No. solenoid valves using a single control box.
- If fitting sensor/touchpad through a thick (brick) wall, we can supply optional extension threads to screw onto the sensor/touchpad to make the overall thread long enough to fit through the wall. Please confirm total wall thickness when enquiring.

WRAS approved Solenoid Valves/ Water Pressure

Please specify correct solenoid valves for your site conditions

Mains powered kits:

Standard High Pressure (HP) 12v solenoid valves are rated for water pressure 0.5 bar – 6 bar
Optional Low Pressure (LP) 12v solenoid valves are rated for water pressure 0 bar – 0.5 bar

Battery powered kits

Standard High Pressure (HP) 6v solenoid valves are rated for water pressure 0.75 bar – 10 bar
Optional Low Pressure (LP) 6v solenoid valves are rated for water pressure 0 bar – 2 bar
Optional Very Low Pressure (VLP) 6v solenoid valves are rated for water pressure 0 bar – 0.5 bar



ROBERT PEARSON & COMPANY LTD

Post Office House, Post Office Lane
Stockton, Warminster
Wiltshire BA12 0SE

Telephone: (01985) 850954
Facsimile: (01985) 850112

E-Mail: sales@robertpearson.co.uk
Website: www.robertpearson.co.uk