

ANTI-LIGATURE AND/OR VANDAL RESISTANT TAP SPOUTS

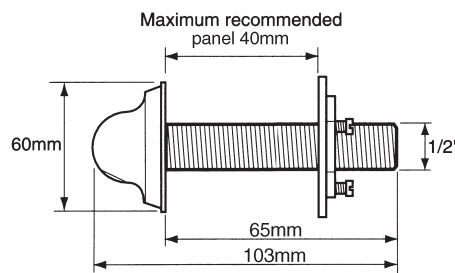
Ideal for Custodial/Mental Health applications as well as Public/Commercial applications where vandalism might be a risk.

Use our remote no-touch sensor kits to control the water flow for these spouts.
Please contact us for more information.

Panel Mounted Anti-Ligature Basin Spout



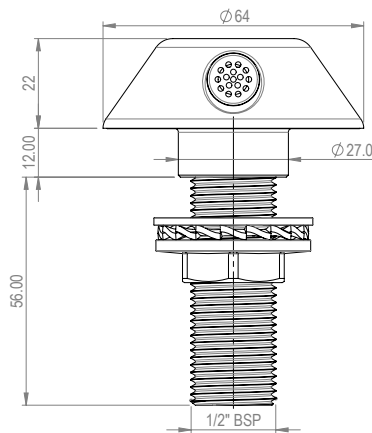
- Made from brass with a nickel plated finish
- Suitable for water pressures from: minimum 0.5 Bar – maximum 6.0 Bar
- Spray angle: 25°
- Integral water flow regulator – 6 Lpm for Spout
- Anti-rotation plate prevents people moving/rotating the spout once it has been installed



Panel Mounted
(suitable for panels up to 40mm thick)

Order Codes:
ALBS-PM Basin Spout

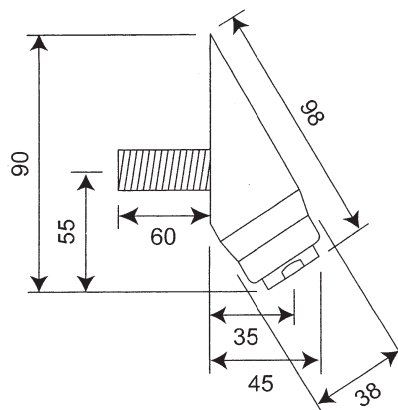
Basin/Deck Mounted Vandal Resistant Stainless Steel Spout



Basin/Deck Mounted

Order Code:
ALN-DM(v2) Spout

Panel Mounted Vandal Resistant Stainless Steel Tap Spout



Panel Mounted
Order Code:
VRTS-PM Tap Spout

We offer optional extension threads if fitting spout through a brick wall. Please advise of total wall thickness when enquiring.

ANTI-LIGATURE AND/OR VANDAL RESISTANT SHOWER HEADS

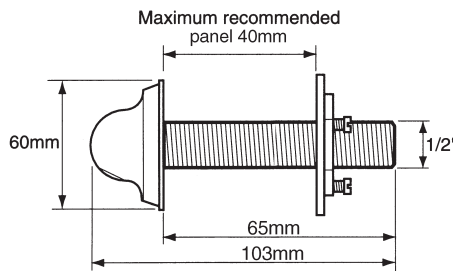
Ideal for Custodial/Mental Health applications as well as Public/Commercial applications where vandalism might be a risk.

Use our remote no-touch sensor kits to control the water flow for these spouts.
Please contact us for more information.

Panel Mounted Anti-Ligature Shower Head

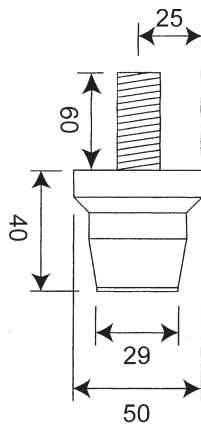
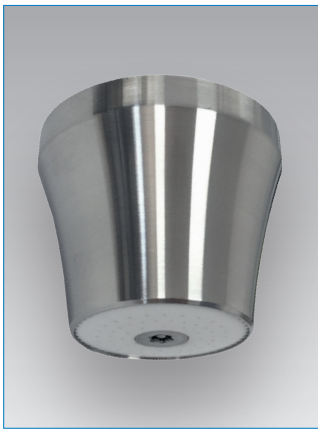


- Made from brass with a nickel plated finish
- Suitable for water pressures from: minimum 0.5 Bar – maximum 6.0 Bar
- Spray angle: 25°
- Integral water flow regulator – 8 Lpm for Shower Head
- Anti-rotation plate prevents people moving/rotating the spout once it has been installed



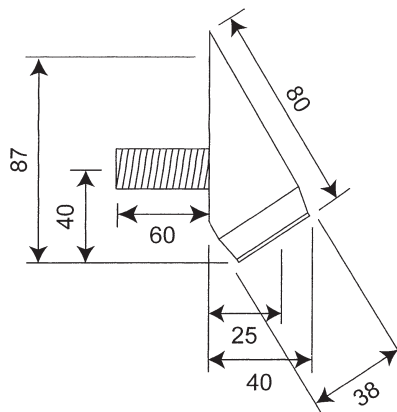
Panel Mounted
(suitable for panels up to 40mm thick)
Order Codes:
ALSH-PM Shower Head

Ceiling Mounted Anti-Ligature Shower Head



Ceiling Mounted
Order Code:
ALCMSH-PM Shower Head

Panel Mounted Vandal Resistant Stainless Steel Shower Head



Panel Mounted
Order Code:
VRSH-PM Shower Head

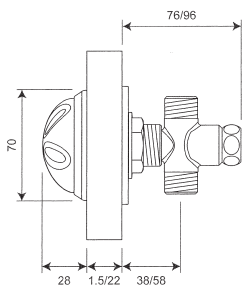
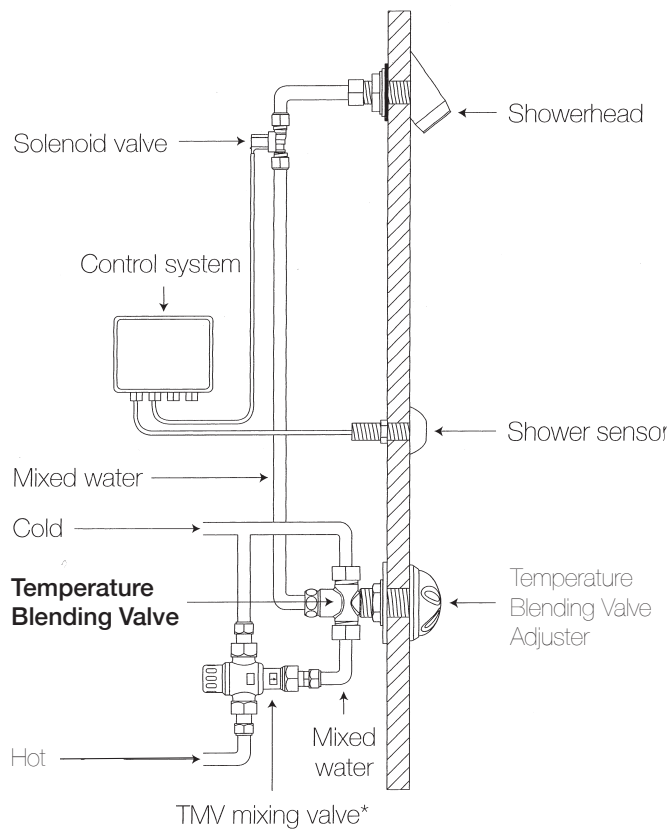
We offer optional extension threads if fitting shower head through a brick wall. Please advise of total wall thickness when enquiring.

TEMPERATURE BLENDING VALVE (Manually Adjustable)

In public areas using a TMV2/3 Thermostatic Mixing Valve (set at 40°C *approx.*) is considered suitable to provide safe pre-mixed warm water to an appliance (tap, shower etc). The temperature is not adjustable by the public, only by the building manager.

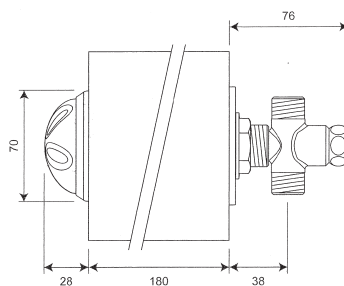
If however you want to offer your customer the ability to manually adjust the temperature of the water between say 40°C and cold, then this robust & tamper proof Temperature Blending Valve should be used (NB: We would strongly recommend that you also use a Thermostatic Mixing Valve to safely control the maximum water temperature into the Temperature Blending Valve). We can also supply TMV3 Mixing Valves.

Typical Installation: Plumbing guidelines for Shower using Temperature Blending Valve



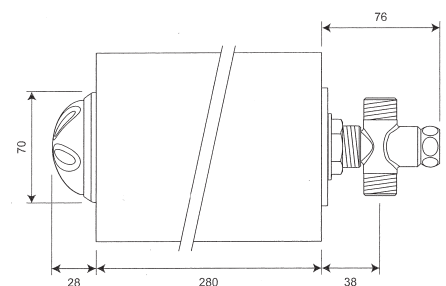
Order Code
TBV/ADJ/22

Application
For 1.5mm – 22mm wall thickness.
Fixing 3/4" BSP. (Ø28mm drill hole)



Order Code
TBV/ADJ/180

Application
For up to 180mm wall thickness.
Fixing 3/4" BSP. (Ø28mm drill hole)



Order Code
TBV/ADJ/280

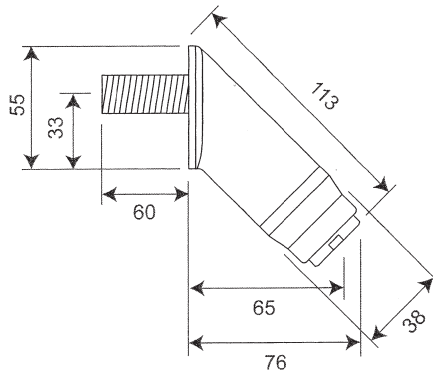
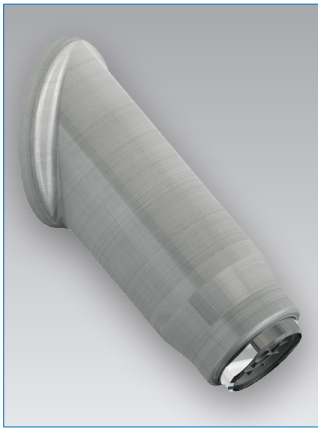
Application
For up to 280mm wall thickness.
Fixing 3/4" BSP. (Ø28mm drill hole)

ANTI-LIGATURE AND/OR VANDAL RESISTANT BATH SPOUTS

Ideal for Custodial/Mental Health applications as well as Public/Commercial applications where vandalism might be a risk.

Use our remote no-touch sensor kits to control the water flow for these spouts.
Please contact us for more information.

Vandal Resistant Stainless Steel Bath Spout



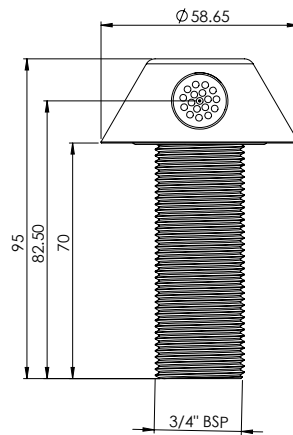
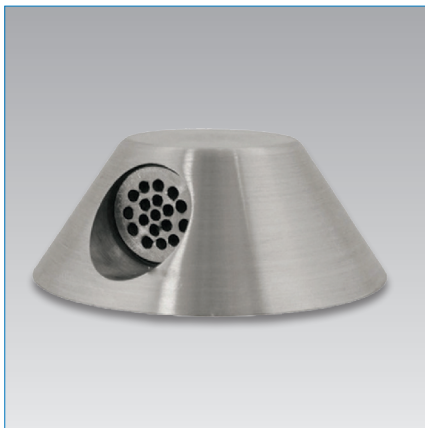
Panel Mounted

Order Codes:

- VRBS-PM Bath Spout
- VRBS(Tap)-PM Tap Spout c/w 5 Lpm flow regulator

We offer optional extension threads if fitting spout through a brick wall. Please advise of total wall thickness when enquiring.

Deck Mounted Vandal Resistant Stainless Steel Bath Spout



NEW



Order Code: ALN-BATH-DM Bath Spout

Cut-out hole Ø28mm drill hole required
Minimum flow pressure 1 Bar
Flow rate 18 LPM at 1 Bar (Unrestricted)



ROBERT PEARSON & COMPANY LTD

Post Office House, Post Office Lane
Stockton, Warminster
Wiltshire BA12 0SE

Telephone: (01985) 850954
Facsimile: (01985) 850112

E-Mail: sales@robertpearson.co.uk
Website: www.robertpearson.co.uk