

# HIGH SECURITY SANITARYWARE

Conventional safe-ensuite sanitaryware, apart from being extremely heavy and difficult to handle/manoeuvre, can be broken and shatter producing dangerous shards of material for self harm or harm to others.



## Anti-vandal, ligature resistant and fire resistant: tested by The Home Office

This special High Security sanitaryware has excellent high impact resistance and will not shatter. The techniques employed to construct these high security products are used in the fields of ballistic armour.

The surface is a high grade polyester gel coat which produces high chemical & ultraviolet resistance.

It is also much lighter (and therefore easier to manoeuvre/handle for installers) than most conventional safe-ensuite sanitaryware; for example the WC pan weighs under 20 kg

Ideal for Prisons, Police Cells, Mental Health Units and other custodial/municipal applications where vandalism is a high risk.

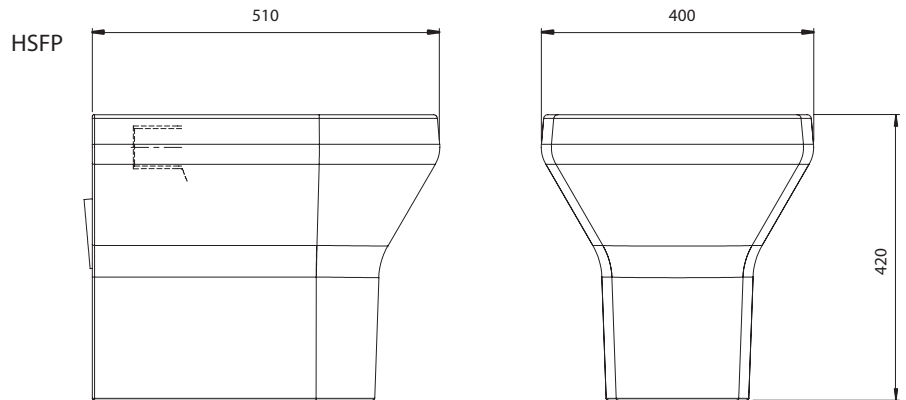
## High Security WC Pans

- Concealed rear waste outlet
- Optional side in-fills
- Large trap to reduce blockages

Floor Standing WC Pan



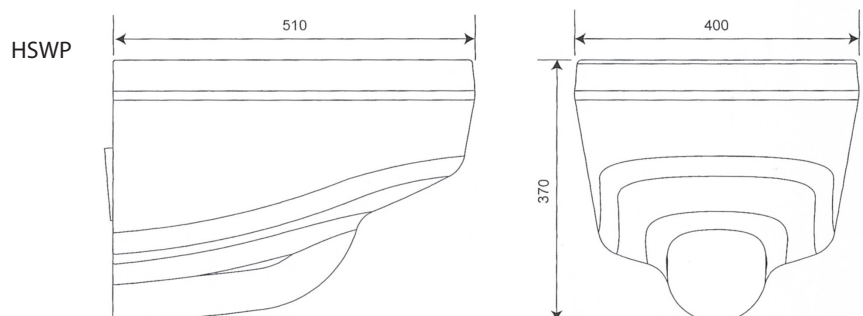
Code: HSFP



Wall hung WC Pan



Code: HSWP



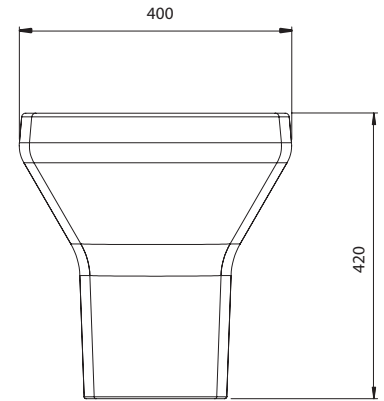
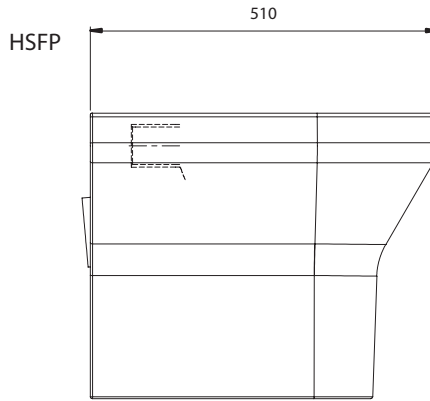
Standard fixing kit is for 60mm wall thickness. If wall is thicker than 60mm please confirm total wall thickness as you will need optional extension threads.

## High Security Blue Gel WC Pans

Floor Standing Blue Gel WC Pan



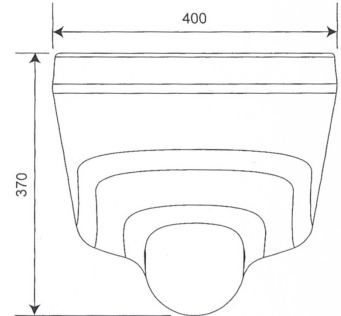
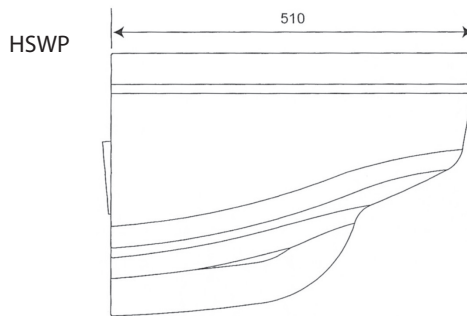
Code: HSFP-Blue Gel



Wall hung Blue Gel WC Pan



Code: HSWP-Blue Gel

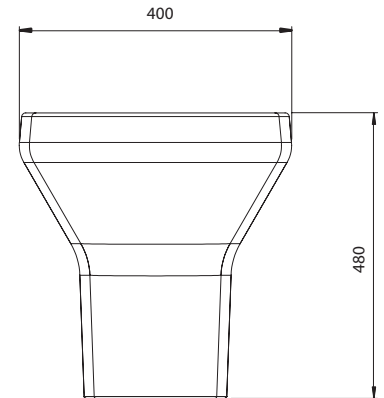
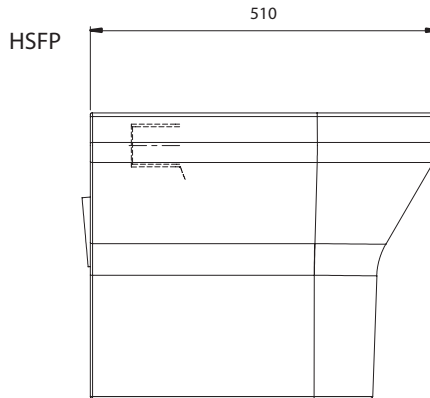


## High Security Disabled WC Pans

Floor Standing Disabled WC Pan



Code: HSFP-DIS

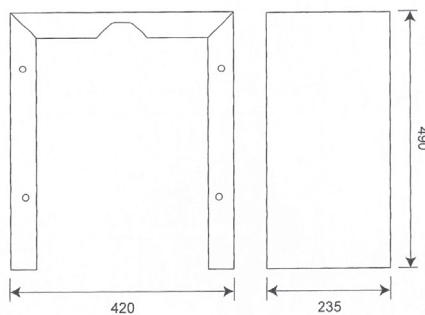


Floor Standing Disabled Blue Gel WC Pan

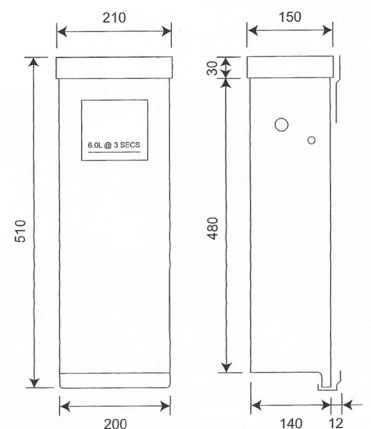


Code: HSFP-DIS-Blue Gel

**Spacer Box**  
(For use only with disabled WC Pan)  
Code: HSSSB-DIS



**Concealed Cistern (Tall)**  
Code: HSTC



Standard fixing kit is for 60mm wall thickness. If wall is thicker than 60mm please confirm total wall thickness as you will need optional extension threads.

## High Security Basin & Backplates

Basin c/w 70mm Fixing Kit. Backplates include spouts. Optional extension threads available for thicker walls  
**Backplates do not include sensors or touchpads. These need to be ordered separately**

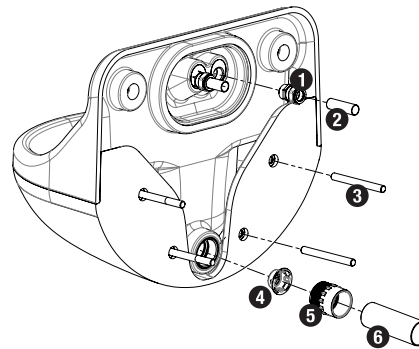
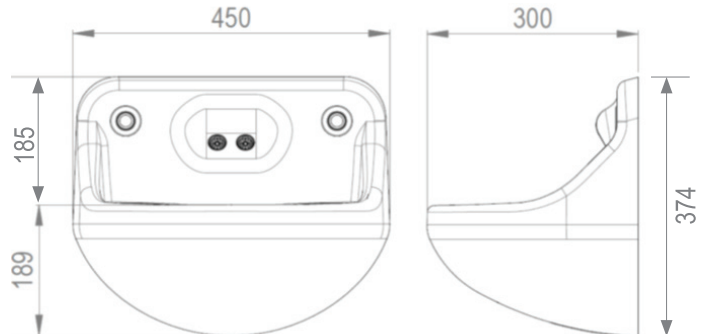


**Code: HSWHB-INT**

- Rear concealed waste outlet
- Ligature resistant
- Wave on or tactile control options available
- In built water spouts and moulded soap shelves c/w stainless steel anti-ligature waste grid
- Optional lock out facility

### Order Code: Product Description

**HSWHB-INT** High Security Integrated Basin & Backplate



- 1 - G1/2" / 15mm COMPRESSION MALE IRON
- 2 - 15mm COPPER PIPE (NOT SUPPLIED)
- 3 - M10 x 100 STUDDING
- 4 - VR01-032 WASTE GRID
- 5 - 1 1/4" PLASTIC MALE IRON
- 6 - WASTE PIPE (NOT SUPPLIED)



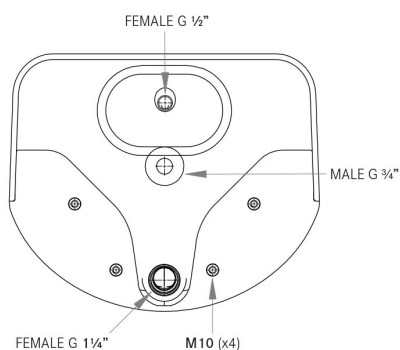
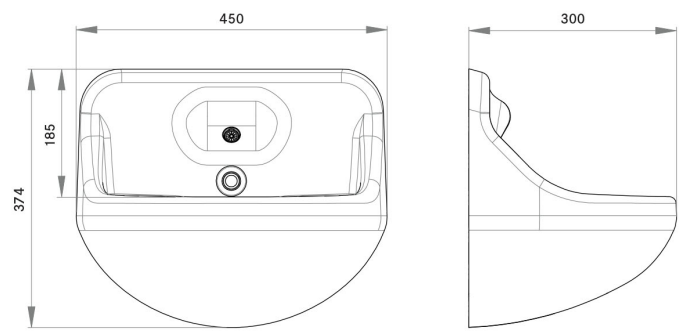
**Code: HSWHB-INT-MONO**

- Rear concealed waste outlet
- Ligature resistant
- Wave on or tactile control options available
- In built water spout and moulded soap shelves c/w stainless steel anti-ligature waste grid
- Optional lock out facility

### Order Code:

### Product Description

**HSWHB-INT-MONO** High Security Integrated Basin & Backplate



**High Security Basin and Backplate**



Code: HSWHB-BP-COMPLETE

**Standard Backplate for High Security Basin**

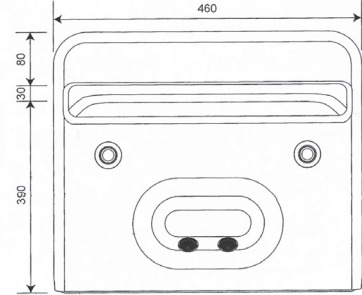
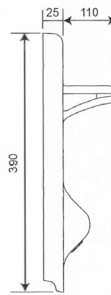
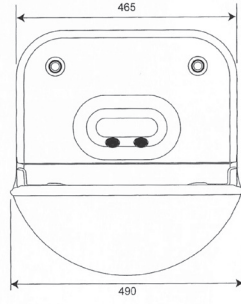
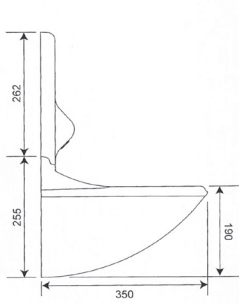


Code: HSWHB-BP

**Optional Backplate with Shelf**



Code: HSWHB-BP-Shelf



**Order Codes:**  
HSWHB  
HSWHB-BP-COMPLETE

**Product Description**  
High Security Basin (only)  
Basin & Standard Backplate

**Order Codes:**  
HSWHB-BP  
HSWHB-BP-Shelf

**Product Description**  
Standard Backplate for Basin  
Optional Backplate with Shelf

**High Security Backplates for use with your own bath/basin**

Sanitaryware Backplates are fitted with Anti-Ligature spouts.



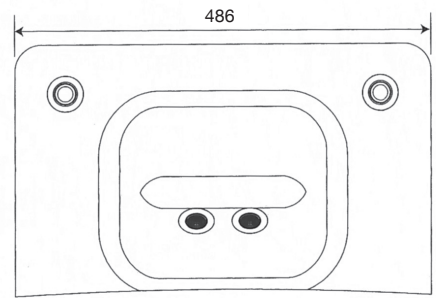
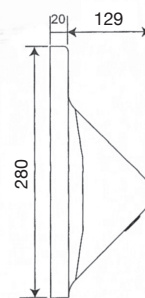
**Order Code:** HSBP-BATH Remote backplate for bath  
(c/w no flow regulator to ensure high flow)



**Order Code:** HSBP-BASIN Remote backplate for basin  
(c/w 5Lpm flow regulator)



**Order Code:** SSHFBP **Dims:** 160mm x 110mm  
**Steel Bath Backplate** to control water to a separate bath spout.



**Accessories**

**Order Codes:**  
HSM  
HSWG  
HSRP

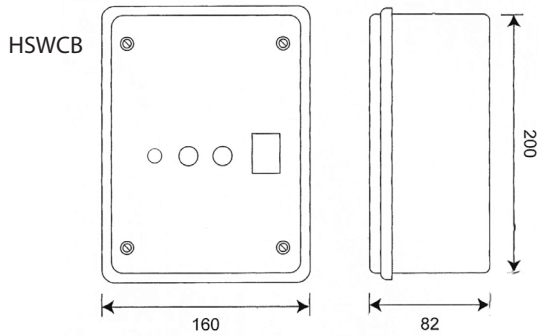
**Product description**  
Shatterproof High Security Mirror  
Waste Grid  
Replacement rubber plug

# ENSUITE WASHROOM CONTROL SYSTEMS

## Ensuite Washroom Control System features:

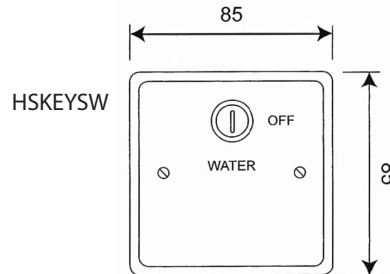
- single control box can control a basin with 2 spouts, a WC and a shower
- anti-ligature no-touch sensor (or optional electronic touchpad switch) operation
- optional lock-out facility
- optional purge facility

### Washroom Control Box



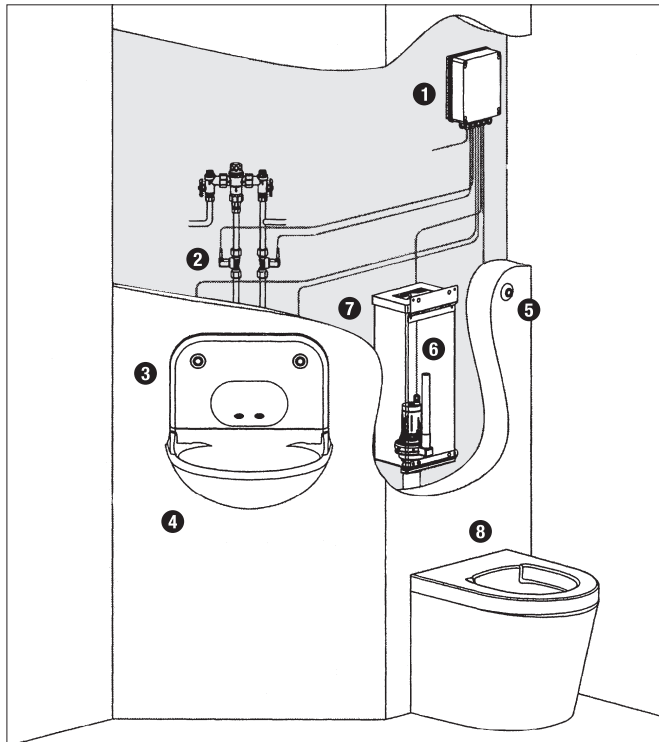
**Order Code:** HSWCB  
**Product Description:** Washroom Control Box (with controls for WC, Basin & Shower)

### Remote Key Switch



**Order Code:** HSKEYSW  
**Product Description:** Water control key switch c/w 5m cable (suitable for use with washroom control system for isolating water or re-setting lockouts)

## Ensuite Control Package 1—High Risk (excluding shower)



**Order Code:** Ensuite Control Package 1 - High Risk

### Package 1 includes:

1. Washroom Control Box
2. 2 No. 15mm Solenoid Valves
3. High Security Standard Backplate (and 2 No. Sensors; 1 for hot water, 1 for cold water)
4. High Security Basin (or new integrated all in one basin and backplate)
5. WC anti-Vandal wave-on Sensor
6. WC Flushvalve
7. Concealed Cistern Kit
8. High Security WC Pan

Does not include sensor and valve for shower.

Thermostatic mixing valves also available if specified.

Fig. 1 WC and Basin

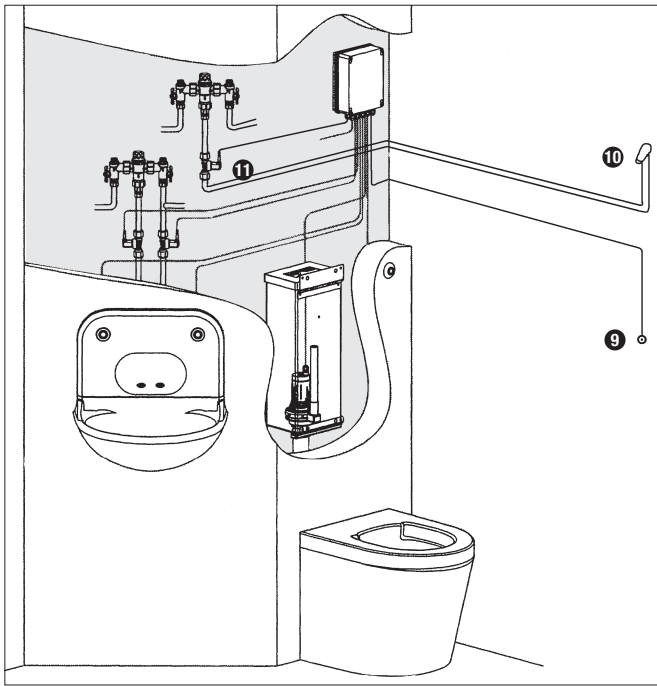
### Optional extras for Ensuite Control Packages:

**a. Panel or Wall?** Standard product is designed to fit through a normal thin panel. If fitting through a thick brick wall you will require optional extension threads. If in doubt please confirm total wall thickness so we can price for any relevant extension threads required.

**b. Water Pressure/Solenoid Valves.** The standard solenoid valves supplied are 15mm size and rated for water pressure 0.5 bar – 6 bar. We do offer optional low pressure solenoid valves, so if required please confirm actual water pressure on site so we can advise/quote for the relevant low pressure solenoid valves.

**c. "No-touch Sensor" or optional electronic "Touchpad Switch" operation.** Standard kit supplied is anti-ligature no touch sensor. If you prefer anti-ligature touchpad switches please advise.

## Ensuite Control Package 2—High Risk (including shower)



### Order Code:

Ensuite Control Package 2 - High Risk

**Package 2 includes everything in Package 1, but also includes:**

9. Shower Sensor for Showerhead
10. Vandal Resistant Showerhead
11. Additional 15mm Solenoid Valve

**Optional extras as Package 1 on page 4**

Fig. 2 WC, Basin and Shower

If you do not want a complete Ensuite Package – eg you only want to use a high security backplate with your own basin – we can offer individual “No-Touch” sensor (or electronic touchpad) controls suitable for our high security backplates.

### Mains Powered Kits

#### Basin Backplate Controls—Mains powered

TPTS-M/HP/Basin Backplate Sensor kit

TPTS-M/HP/Basin Backplate Touchpad kit

**Each kit c/w:** 1 × control box with integral 12v PSU, 2 × 15mm HP 12v solenoid valves, 2 × pre-wired sensors or touchpads (1 red, 1 blue). **Standard High Pressure (HP)** 12v solenoid valves rated for water pressure 0.5 bar – 6 bar. **Optional Low Pressure (LP)** version with solenoid valves rated for 0 bar – 0.5 bar

### Battery Powered Kits

#### Basin Backplate Controls—Battery powered

TPTS-B/HP/Basin Backplate Sensor kit

TPTS-B/HP/Basin Backplate Touchpad kit

**Each kit c/w:** 1 × control box & battery pack, 2 × 15mm HP 6v solenoid valves, 2 × pre-wired sensors or touchpads (1 red, 1 blue). **Standard High Pressure (HP)** 6v solenoid valves rated for water pressure 0.75 bar – 10 bar. **Optional Low Pressure (LP)** version with solenoid valves rated for 0 bar – 1.5 bar. **Optional Very Low Pressure (VLP)** version with solenoid valves rated for 0 bar – 0.5 bar

#### Bath Backplate Controls—Mains powered

TPTS-M/HP/Bath Backplate Sensor kit

TPTS-M/HP/Bath Backplate Touchpad kit

#### Bath Backplate Controls—Battery powered

TPTS-B/HP/Bath Backplate Sensor kit

TPTS-B/HP/Bath Backplate Touchpad kit

#### TPTS Control Box

Basin

Shower

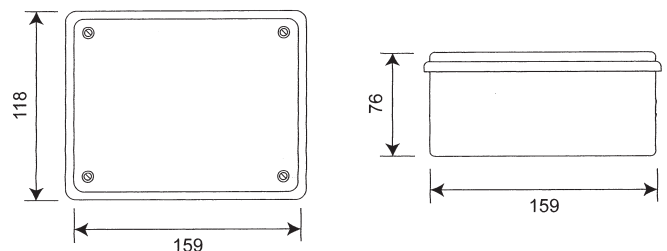
Bath

#### Adjustable Valve Open Time

6 seconds – 20 seconds

30 seconds – 3 minutes

1 minute – 10 minutes



## ROBERT PEARSON & COMPANY LTD

Post Office House, Post Office Lane  
Stockton, Warminster  
Wiltshire BA12 0SE

Telephone: (01985) 850954

Facsimile: (01985) 850112

E-Mail: [sales@robertpearson.co.uk](mailto:sales@robertpearson.co.uk)

Website: [www.robertpearson.co.uk](http://www.robertpearson.co.uk)