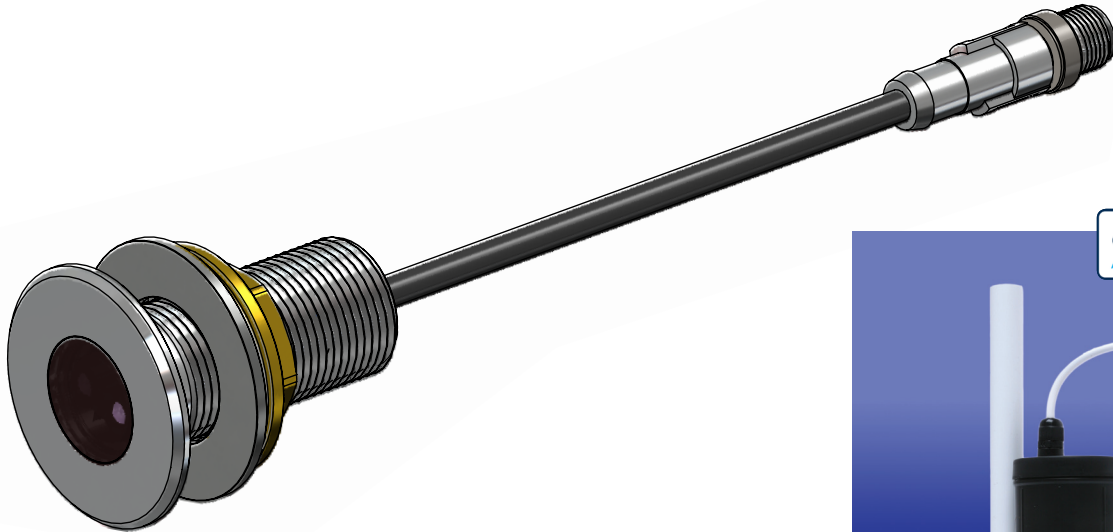


PROGRAMMABLE "AUTO" WC SENSOR

The Panel Mounted Programmable Auto WC Sensor is available in brushed stainless steel. Adjustable settings include; run-on time, sensor range, purge and more. You will need to purchase a hand held programmer to adjust settings by yourself on site.

Fit the sensor directly behind where a person sits on the WC pan, so the sensor is aiming at the person's lower back. (Make sure the WC pan does not have a seat or lid which when put up would obscure the sensor.) When a person sits on the WC, the person is detected. When the person finishes and leaves the sensing area for longer than a short (pre-set but adjustable) period, the WC will automatically be flushed.



Auto WC Sensor Kit Order Codes:

PsensWC-AUTO-B

Battery powered Auto WC sensor kit

Kit c/w

- 1 x Programmable Sensor
- 1 x Pre-wired WC Flushvalve
- 1 x Control Box & Battery Pack

PensWC-AUTO-M

Mains powered Auto WC sensor kit

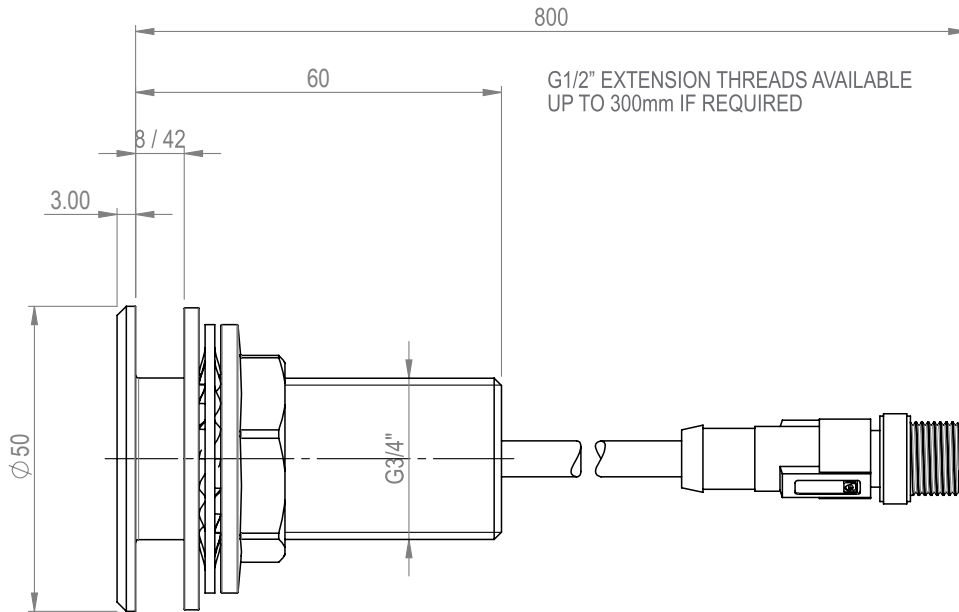
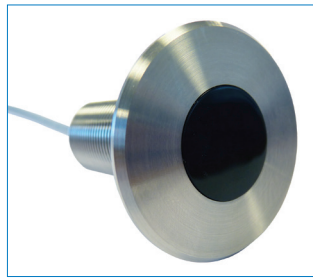
Kit c/w

- 1 x Programmable Sensor
- 1 x Pre-wired WC Flushvalve
- 1 x Control Box (you need to provide a 3amp fused spur)

Pre-wired WC Flushvalve (to fit into a cistern with flat bottomed internal base). 11/2" standard. Optional 2" if specified at time of order.



Hand Held Programmer



Technical Data:

Cut-out hole	Panel mounted (Ø28mm drill hole required).
Sensing range	Default 5. Adjustable 1 – 10.
User Detect Time	Default 5 seconds. Adjustable between 1 – 10 seconds. This is the time the sensor needs to constantly detect a person for before going on to a flush mode.
Dual Detect Time	Default 20 seconds. Adjustable 10, 12, 14, 16, 18, 20, 22, 24, 26 & 28 seconds. If a person finishes and leaves the sensing area before the end of this time, the system will only provide a half flush.
Flush Times	Default 4 seconds. Adjustable 2, 2.5, 3, 3.5, 4, 3/4.5, 3/5, 3.5/5.5, 4/6 & 6.5 seconds. This is the length of time the valve will open for on each flush. Where it states (eg) 3/5, this means 3 Lpm ("Half" flush) / 5 Lpm ("Full" flush).
Walk Away Time	Default 2 seconds. Adjustable 1, 1.5, 2, 2.5, 3, 3.5, 4, 4.5, 5 & 5.5 seconds. This is the delay time after the sensor has stopped detecting some before the system will activate the flush.
Automatic Purge	Default OFF. When set to ON the system will create a Purge Flush if the WC has not been used for your choice of 3, 6, 12, 24, 36, 48 or 72 hours.
Purge Run Times	Default 4 seconds. Adjustable 2, 3, 3.5, 4, 4.5, 5, 5.5, 6 & 6.5 seconds. This is the length of time the valve will open for on each Purge flush.
Lock Outs	Default OFF. When set to ON the system will Lock-Out for 15 minutes if more than 2 -10 operations (adjustable) have occurred in a single 15 minute period. The Lock-Out will automatically re-set itself at the end of the 15 minute period.



ROBERT PEARSON & COMPANY LTD

Post Office House, Post Office Lane
 Stockton, Warminster
 Wiltshire BA12 0SE

Telephone: (01985) 850954
 Facsimile: (01985) 850112

E-Mail: sales@robertpearson.co.uk
 Website: www.robertpearson.co.uk