



SENSOR OPERATED WC FLUSHVALVE

Vandal Resistant and Anti-Ligature

All Sensors (and Touchpads) are anti-ligature – nothing to grab hold of

Up to 60% Water Savings compared to some conventional siphonic flushing systems

Reduce Maintenance

No mechanical handles or linkages to break. Helps reduce blockages

“Swipe Type” Sensor Operated WC Flushing System



Simply swipe your hand within 50mm (2”) of the sensor to activate flush.

Do not fit this “No Touch” Sensor directly behind the WC pan, otherwise if a person leans back and comes within 2” (50mm) of the sensor it will flush. Fit the sensor either to the left or the right of the pan (as per picture) to avoid the person false triggering the sensor.

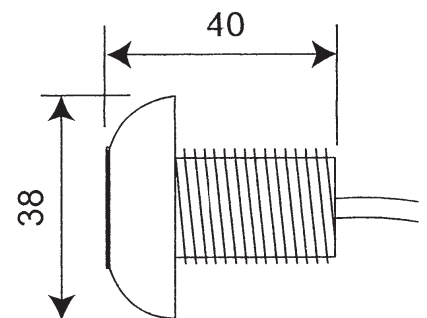
Sensor comes with a chrome bezel as standard but we can also offer an optional “brushed” stainless steel bezel if specified. If fitting sensor through a thick (brick) wall, we offer an optional extension thread which simply screws on to the sensor to make the thread long enough to fit through the wall. Please confirm total wall thickness when enquiring.

Each Kit comes with 1 x pre-wired Flushing Valve, 1 x Control Box and 1 x pre-wired Sensor.

Dual flush also available

2 Sensors can be wired to a single control box. Sensor no. 1 will produce a full flush whilst Sensor no. 2 will produce a half flush resulting in **Extra Water Savings**.

38mm Bezel Sensor WC Flush Kits



38mm Chrome Bezel Kit

Mains Powered Order Code:
WCFV-io

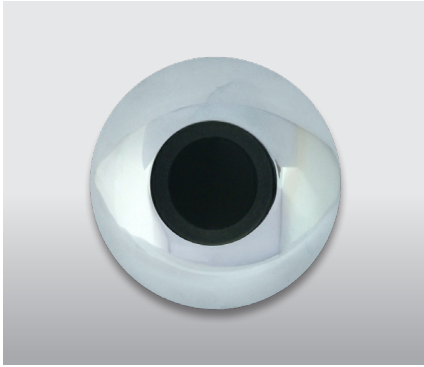
Battery Powered Order Code:
WCFV-B

38mm Stainless Steel Bezel Kit

Mains Powered Order Code:
WCFV-io-SS

Battery Powered Order Code:
WCFV-B-SS

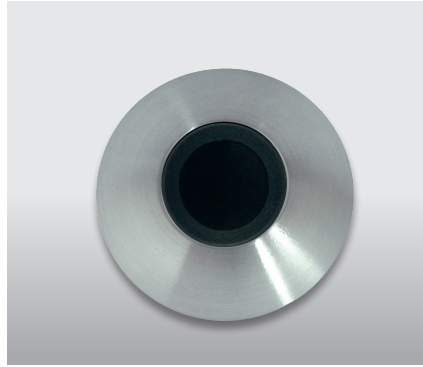
50mm Bezel Sensor WC Flush Kits



50mm Chrome Bezel Kit

Mains Powered Order Code:
WCFV-io (50)

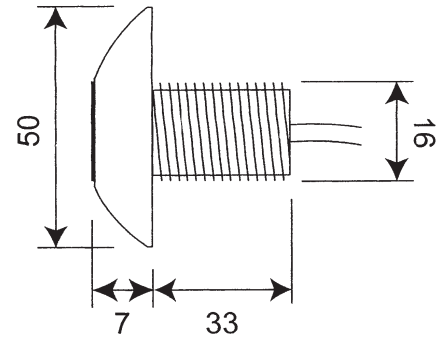
Battery Powered Order Code:
WCFV-B (50)



50mm Stainless Steel Bezel Kit

Mains Powered Order Code:
WCFV-io-SS (50)

Battery Powered Order Code:
WCFV-B-SS (50)



Electronic Touchpad Switch Operated WC Flushing System



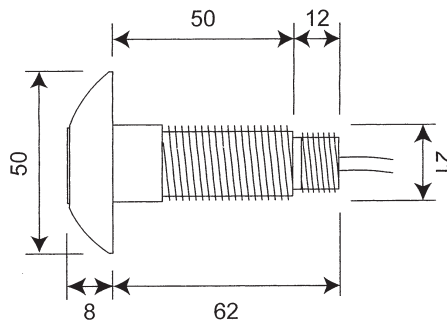
Simply press to activate flush.

If fitting touchpad through a thick (brick) wall, we offer an optional extension thread which simply screws on to the touchpad to make the thread long enough to fit through the wall. Please confirm total wall thickness when enquiring.

Touchpad Kit comes with a pre-wired Flushing Valve, Control Box and pre-wired Touchpad.

Dual flush also available

2 Touchpads can be wired to a single control box. Touchpad no. 1 will produce a full flush whilst Touchpad no. 2 will produce a half flush resulting in **Extra Water Savings**

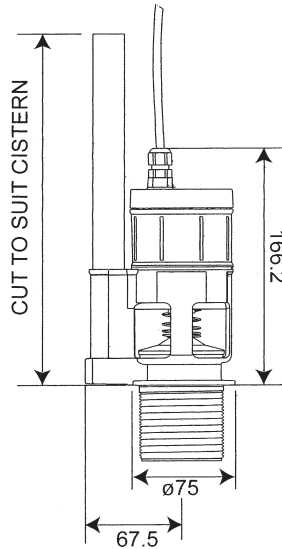


50mm Stainless Steel Touchpad Kit

Mains Powered
Order Code: WCFV-io-TPS

Battery Powered
Order Code: WCFV-B-TPS

Flushvalve

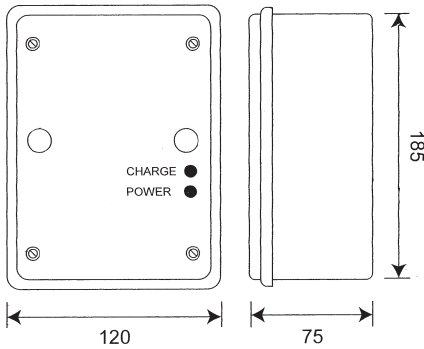


c/w 1½" standard down-pipe connections so it can easily be fitted into new or existing UK industry standard flat bottomed cisterns and flushing troughs. Valve c/w internal overflow pipe.

Optional 2" version available on request.

Flushvalve simply replaces the syphon in the cistern. Valve open timer adjustable from 1–6 seconds per flush. 1 second = 1 litre approx. Once a flush has been activated there is a 30 second delay (approx.) before the next flush can work to prevent abuse of the system.

Control Box



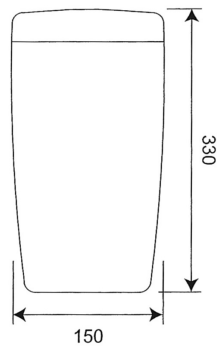
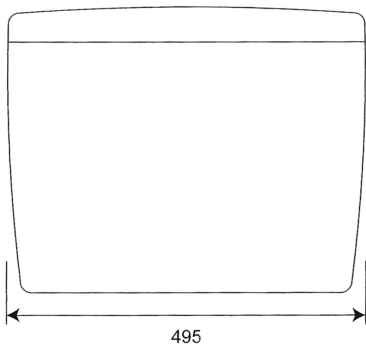
Each kit has its own control box

3 × Control Boxes (in a row) can be wired from a single 3 amp fused spur. Electrical supply: 12v DC from integral transformer. Connected to 220–240 AC mains.

Control box dimensions: 120mm (w) x 185mm (h) x 75mm (d)

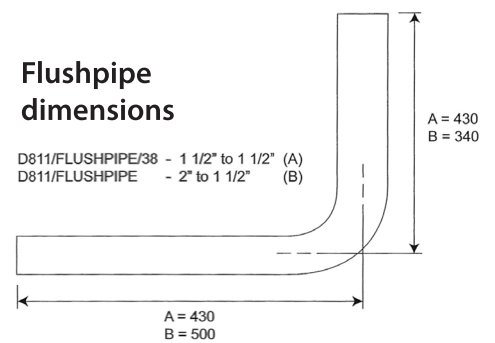
Control box weight: 950g

Optional WC Cistern Kit



Flushpipe dimensions

D811/FLUSHPIPE/38 - 1 1/2" to 1 1/2" (A)
D811/FLUSHPIPE - 2" to 1 1/2" (B)



Order Code: WC Cistern Kit

Kit c/w: Cistern, low level Downpipe with standard 1½" connections (optional 2" base version if specified), Torbeck Valve. The cistern containing the flushvalve can be remotely located away from the WC, reducing the threat of vandalism.



ROBERT PEARSON & COMPANY LTD

Post Office House, Post Office Lane
Stockton, Warminster
Wiltshire BA12 0SE

Telephone: (01985) 850954

Facsimile: (01985) 850112

E-Mail: sales@robertpearson.co.uk

Website: www.robertpearson.co.uk