

230v INDOOR PIR ABSENCE SWITCHES

Ideal for meeting rooms, bedrooms, hotel rooms, student and military accommodation, classrooms etc.

When someone enters a room the lights are manually turned on using a momentary wall switch (see page 3). When the occupant leaves the room or area of detection the 230v Indoor PIR Absence Switch automatically switches the lights off after a pre-selected time. The override OFF function allows the occupant to turn the lights off from the momentary wall switch (while the 230v Indoor PIR Absence Switch is in the ON state) without waiting for the pre-selected time lag to time out. The lights can be switched back ON by operating the momentary wall switch in the usual way.

Adjustable overrun time from 10 secs – 40 mins in 9 steps. This is the time the load will stay on for after the last time the PIR absence switch detects someone.

Adjustable Photocell to inhibit the lights from switching on when somebody is detected by the PIR absence switch if there is enough ambient light. Range 100 – 1000 Lux and inactive.

Loading All models can switch up to 6 amps (1500W at 230VAC) of resistive and fluorescent lighting loads or up to 3amps (750W) of electronic and wire wound transformer loads, or up to 2amps (500W) of CFL, 2D Lamps LED Drivers and LED Lamps and fittings or up to 1 amp (250W) of fan or motor loads.

If required, several PIRs can be wired in parallel to control the same load.

Ceiling PIR Absence Switches

Plan view of detection zone

- Strong detection zone
i.e. person moving arm
- Secondary detection zone
i.e. person walking (less sensitive when walking straight towards PIR switch)

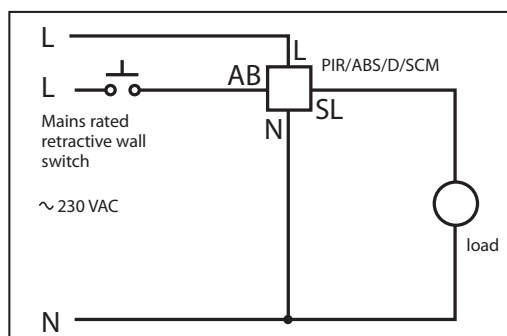
PIR Quad detector gives 124 detection areas within the zone

Perspective view of detection zone

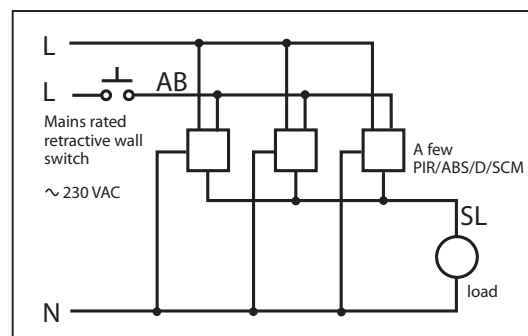
For optimum coverage recommended mounting height between 2.4 and 5m.

Several PIR absence switches
In open plan areas
For best coverage the PIR absence switches should be spaced every 5m in either direction

Wiring diagram: Single absence detector

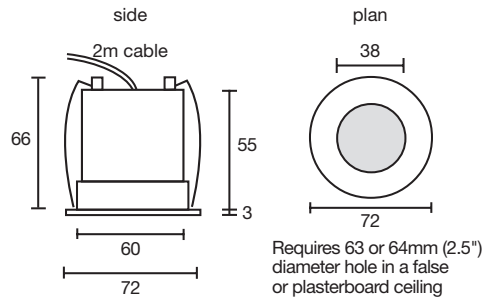


Wiring diagram: Multiple absence detectors



Ceiling Recessed PIR Absence Switch

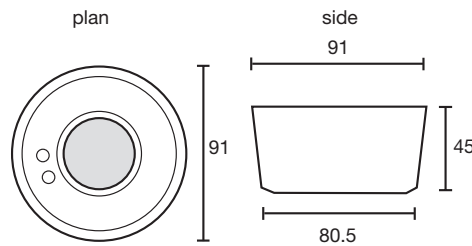
These models are ideal for flush mounting through suspended or plasterboard ceilings.



Order Code:
PIR/ABS/D/REC
72mm diameter

Circular Ceiling Surface Mounted PIR Absence Switch

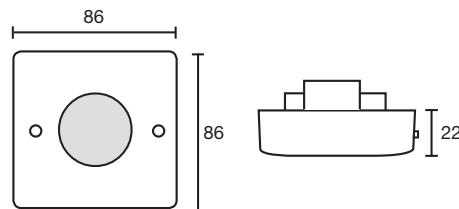
Can be mounted directly onto solid ceilings or onto a range of different mounting boxes.



Order Code:
PIR/ABS/D/CCM
91mm diameter

Square Ceiling Surface Mounted PIR Absence Switch

Can be mounted on a square pattress box.



Order Code:
PIR/ABS/D/SCM
86mm x 86mm

MOMENTARY WALL SWITCHES



Momentary switch (grey metal finish)

Push to make or break. For controlling devices where momentary or retractive switch is required. Suitable for controlling loads up to 10 amps (2500W). 1 or 2 way switching. Suitable for wall mounting.

Order Codes:

RP/MS/MP/PRESS Grey metal finish with PRESS printed on button.

RP/MS/MP Grey metal finish with blank button.

Dimensions: 86mm x 86mm x 10mm. Requires back box depth 16mm



Momentary switch (white polycarbonate finish)

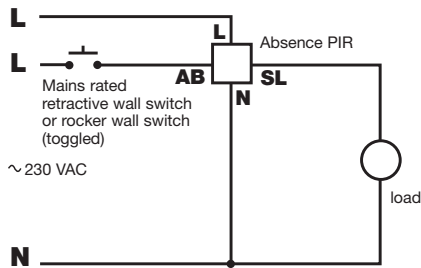
Push to make or break. For controlling devices where momentary or retractive switch is required. Suitable for controlling loads up to 10 amps (2500W). 1 or 2 way switching. Suitable for wall mounting.

Order Codes:

RP/MS/WHP/PRESS White polycarbonate finish with PRESS printed on button.

RP/MS/WHP White polycarbonate finish with blank button.

Dimensions: 86mm x 86mm x 10mm. Requires back box depth 16mm



Wiring diagram: Momentary switches

Single control of a Robert Pearson absence switch



ROBERT PEARSON & COMPANY LTD

Post Office House, Post Office Lane
Stockton, Warminster
Wiltshire BA12 0SE

Telephone: (01985) 850954

Facsimile: (01985) 850112

E-Mail: sales@robertpearson.co.uk

Website: www.robertpearson.co.uk