

WATER SAVING FLOW REGULATORS

Up to 70% Water Savings at Taps, Showers etc.

Application: Point of use regulators designed to provide constant and maximum flow rates at outlets such as taps and showers etc., irrespective of changes in demand or water pressure fluctuations between 1 Bar - 10 Bar (*unless otherwise stated below*).

Benefits

- **Large water (+ energy) savings. Helps meet The Code for Sustainable Homes etc.**
 - Even water distribution throughout the site, even at peak demand periods
- Lower capital costs (potential savings from smaller pipework, water heating systems etc.)
 - Reduced “peak demand”
 - Ideal for retro-fit or new build projects
- Low cost solution. Payback often within months
- Help reduce “back splash” at basins

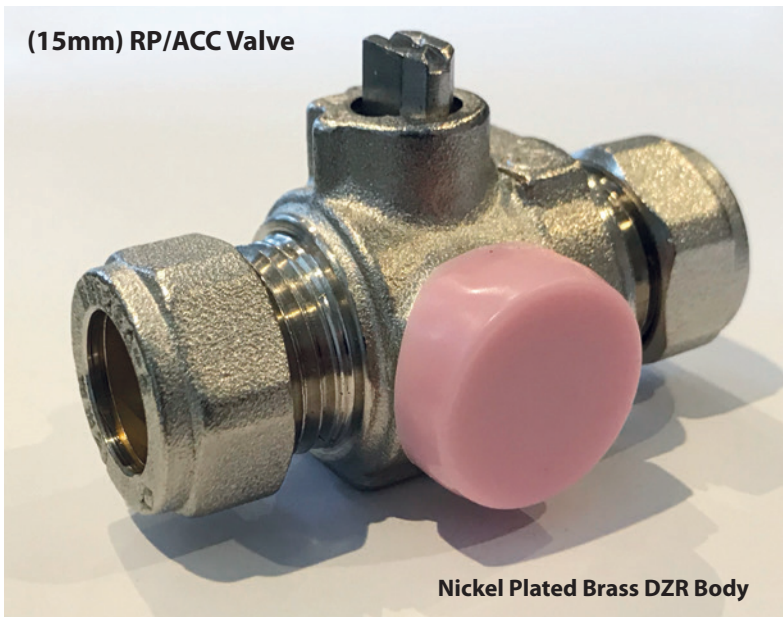
RP/ACC model Combined Isolating Valve and Flow Regulator | 0.5 Bar – 6 Bar

Order Codes: 15mm RP/ACC or 22mm RP/ACC

With access port on side of valve to allow removal of flow regulator cartridge (and optional strainer) without draining down system or breaking pipework (*picture: opposite*), for the purpose of flushing out the system on commissioning or changing the flow regulator cartridge to a higher or lower flow rate as required.

Application: Outlets supplied with water pressure 0.5 Bar - 6 Bar maximum.

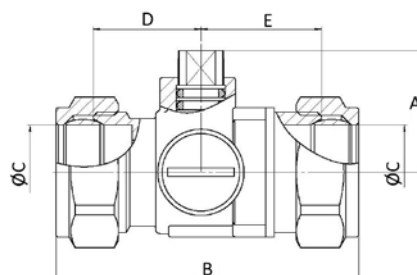
(15mm) RP/ACC Valve



Available Flow Rates (litres per minute) for both 15mm RP/ACC and 22mm RP/ACC

2.5 Lpm	Lime Green	10 Lpm	Yellow
4 Lpm	Pink	12 Lpm	Brown
6 Lpm	Grey	15 Lpm	Blue
8 Lpm	White	18 Lpm	Green

*Optional strainer available on request.
Optional Red and/or Blue Handles for the valves available on request.*



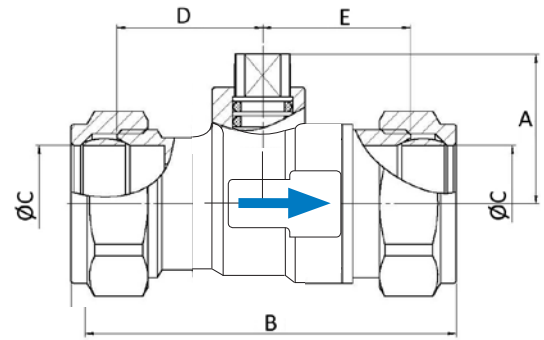
SIZE	15mm	22mm
A (mm)	28.2	28.2
B (mm)	65.8	70.2
C (mm)	15.0	22.0
D (mm)	23.0	25.0
E (mm)	27.0	28.0
Rating	PN16	PN16
Weight (kg)	0.180	0.220

RP/ISO(v2) model Combined Isolating Valve and Flow Regulator | 0.5 Bar – 6 Bar

RP/ISO(v2) Valve



Nickel Plated Brass DZR Body



Order Code: RP/ISO(v2)

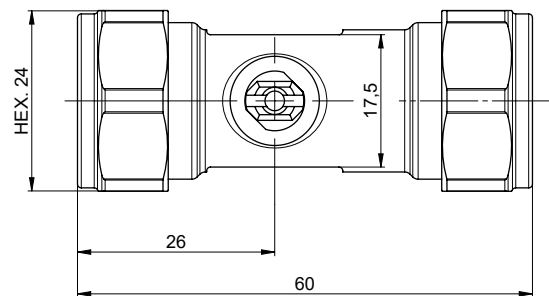
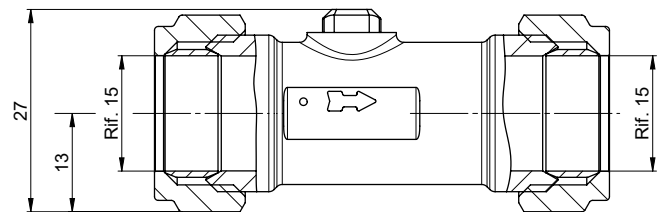
15mm combined flow regulating & isolating valve with integral flow regulator.

- 4 Lpm (litres per minute) Grey
- 6 Lpm (litres per minute) Black
- 8 Lpm (litres per minute) White

SIZE	RP/ISO(v2)
A (mm)	24.5
B (mm)	64.5
C (mm)	15.0
D (mm)	23.0
E (mm)	27.0
Weight (kg)	0.146

RP/ISO model Combined Isolating Valve and Flow Regulator | 1 Bar – 10 Bar

15mm RP/ISO Valve



Order Code: 15mm RP/ISO (WHILST STOCKS LAST)

15mm combined flow regulating & isolating valve with integral flow regulator. *Optional Red and/or Blue Handles for the valves available on request.*

- 5 Lpm (litres per minute) Yellow

15mm RP/GA Flow Regulating Disc Insert (for your own valves)

Circular flow regulator insert (only) for your own valves (can be used with most 15mm compression ended valves). Simply fit in to the tap/appliance side of your own valve.



Order Code: 15mm RP/GA

Flow rates available from:

- 4 Lpm Pink
- 6 Lpm Grey
- 8 Lpm White
- 10 Lpm Yellow
- 12 Lpm Brown
- 15 Lpm Blue
- 18 Lpm Green

RP/CAAFR Combined Aerator and Flow Regulator

Helps reduce splashing by aerating the water and eliminating side spray. No plumbing required to fit. Simply replace existing tap aerator with this unit.



Order Code: RP/CAAFR

Flow rates/colour-coding as follows:

- 1.9 Lpm Lime Green
- 3.8 Lpm Blue
- 5 Lpm Orange
- 6 Lpm Black
- 8 Lpm White

Combined laminar (flow straightener) and flow regulators are also available. Please call to discuss.

RP/SFR/DW 1/2" Shower Flow Regulator

Ideally fit this unit at the thermostatic mixing valve end of the flexi-hose. If fixed head shower, unscrew the shower-head, screw the flow regulator in and then re-fit the shower head. No plumbing required to fit.



Order Code: RP/SFR/DW

Flow rates/colour-coding as follows:

- 4 Lpm Grey
- 6 Lpm Black
- 8 Lpm White
- 9 Lpm Orange
- 10 Lpm Blue
- 12 Lpm Red
- 15 Lpm Lime Green

RP/DWSA/TTFR 1/2" MxF Chrome Tap Tail/Mixer & Flow Regulator

Simply screw on to 1/2" inlet pipe thread to an appliance.



Order Code: RP/DWSA/TTFR

Flow rates/colour-coding as follows

- 1.4 Lpm Brown
- 1.9 Lpm Yellow
- 2.5 Lpm Orange
- 3.5 Lpm Beige
- 5 Lpm Violet
- 6 Lpm Pink
- 8 Lpm Red
- 9 Lpm Lilac
- 10 Lpm Black
- 12 Lpm White



ROBERT PEARSON & COMPANY LTD

Post Office House, Post Office Lane
Stockton, Warminster
Wiltshire BA12 0SE

Telephone: (01985) 850954
Facsimile: (01985) 850112

E-Mail: sales@robertpearson.co.uk
Website: www.robertpearson.co.uk