

# Pilot Operated Normally Closed WRAS Solenoid Valves

## Pilot Operated (HP) 230v Normally Closed Solenoid Valves



### 1/2" – 2" Pilot Operated HP NC Valves

Media: liquid and gaseous fluids\*

Media temperature: 85°C max

Max viscosity: 5°E (~37 cStokes or mm<sup>2</sup>/s)

\* verify the compatibility of fluid with material in contact

### Materials in contact with fluid

Body: Brass

Sealing: EPDM

Internal components: Brass and stainless steel

Seat: Brass

Guide assembly: Stainless steel

Shading ring: Copper

- Strainers are recommended to protect the valves from debris
- Optional 12vDC or 24v  available on request
- Optional manual override available. Must be specified at time of order
- Optional magnetic valve opener (to temporarily energise valves if there is currently no electricity provided on site)
- Voltage ±10%. Continuous Duty 100%

## Order codes and technical data for 1/2" – 1" sizes

**Rated up to 10 Bar Water Pressure and requires minimum 0.35 Bar Pressure Differential to operate**

### Order Codes (HP):

1/2" 230v HP NC Solenoid Valve

3/4" 230v HP NC Solenoid Valve

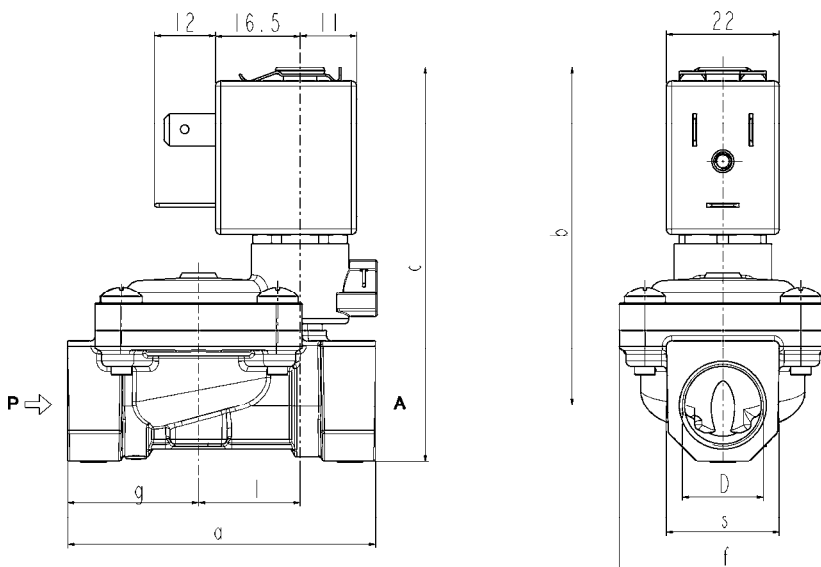
1" 230v HP NC Solenoid Valve

### Power Absorption:

Inrush	Holding	DC
12 va	6 va	5.5W

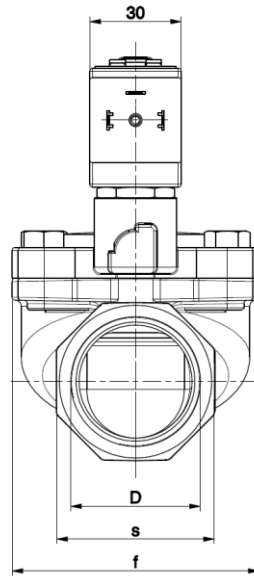
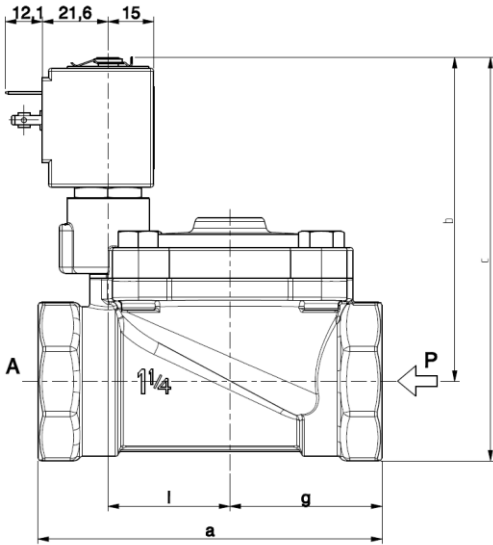
### Response Times: 1/2" 3/4" 1"

	1/2"	3/4"	1"
Opening time (ms)	70	70	90
Closing time (ms)	600	500	420



	D	a	b	c	f	g	l	s
G 1/2	66	68	82	40	29	20	27	
G 3/4	79	72,5	89	50	35,5	24,5	33	
G 1	105	85	106	71	46	28	42	

## Order codes and technical data for 1¼" – 2" sizes



D	a	b	c	f	g	l	s
G 1¼	113	106	132	81	50	40	52
G 1½	140	110	140	110	64	53	60
G 2	157	114	150	110	72	53	72

**Rated up to 10 Bar Water Pressure and requires minimum 0.5 Bar Pressure Differential to operate**

### Order Codes (HP):

1¼" 230v HP NC Solenoid Valve  
 1½" 230v HP NC Solenoid Valve  
 2" 230v HP NC Solenoid Valve

### Power Absorption:

Inrush	Holding	DC
23 va	14 va	9W

### Response Times: 1¼" 1½" 2"

Opening time (ms)	100	360	360
Closing time (ms)	650	650	650



## ROBERT PEARSON & COMPANY LTD

Post Office House, Post Office Lane  
 Stockton, Warminster  
 Wiltshire BA12 0SE

Telephone: (01985) 850954  
 Facsimile: (01985) 850112

E-Mail: [sales@robertpearson.co.uk](mailto:sales@robertpearson.co.uk)  
 Website: [www.robertpearson.co.uk](http://www.robertpearson.co.uk)