

Direct Acting Normally Closed Solenoid Valves

Direct Acting (LP) 230v Normally Closed Solenoid Valves [1¼" – 2" sizes]

1¼" – 2" Direct Acting LP NC Valves

Media: air – water – light oil - vacuum

Media temperature: 85°C max

Ambient temperature: 60°C max

Opening/closing time: 50 mSec max

Media viscosity: 50 Centistokes max

- We recommend you mount coils upright
- It is recommended that you fit strainers to protect the valves from debris
- Optional 12vDC or 24v available on request
- Optional magnetic valve opener. Allows you to open valve without power
- Voltage $\pm 10\%$. Continuous Duty 100 %
- **NBR Seals as standard** | FKM or EPDM seals available on request

Construction

Body: Brass

Tube and internal parts:
Stainless steel

Seals and gaskets: NBR

Suitable for water pressure:

0 Bar – 7 Bar (AC Coils)

0 Bar – 5 Bar (DC Coils)

Order Codes LP(v2):

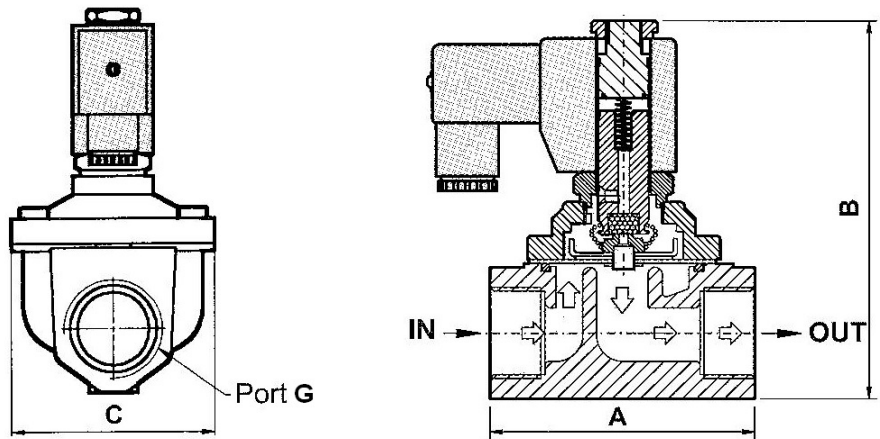
1¼" 230v LP NC Solenoid valve

1½" 230v LP NC Solenoid valve

2" 230v LP NC Solenoid valve

Power Absorption:

Inrush	Holding	DC
18.7 vA	15.3 vA	18.5W



BSP	1 1/4	1 1/2	2
A	120	120	150
B	140	140	160
C	90	90	120
Kg	2.87	2.77	4.81



ROBERT PEARSON & COMPANY LTD

Post Office House, Post Office Lane
Stockton, Warminster
Wiltshire BA12 0SE

Telephone: (01985) 850954

Facsimile: (01985) 850112

E-Mail: sales@robertpearson.co.uk

Website: www.robertpearson.co.uk