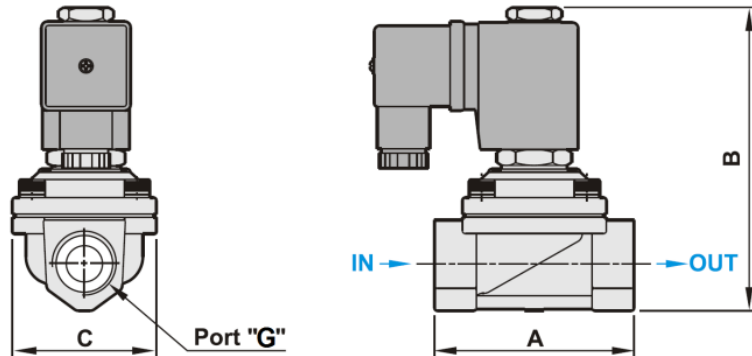


Zero-Rated Normally Closed WRAS Solenoid Valves

Zero-Rated LP(v2) 230v Normally Closed Solenoid Valves



- We recommend you mount coils upright
- It is recommended that you fit strainers to protect the valves from debris
- Optional 12v or 24v available on request please specify AC or DC
- Optional magnetic valve opener. Allows you to open valve without power
- Voltage $\pm 10\%$. Continuous Duty 100 %



Media: air – water – light oil - vacuum
 Media temperature: 85°C max
 Ambient temperature: 60°C max
 Opening/closing time: 50 mSec max
 Media viscosity: 50 Centistokes max

BSP	1/2	3/4	1
A	66.5	71.0	96.0
B	101.0	107.0	120.5
C	48.0	58.0	70.0
Kg	0.715	0.945	1.485

Standard c/w 15 Watt Coil

Suitable for water pressure:

0 Bar – 7 Bar (AC Coils)
 0 Bar – 5 Bar (DC Coils)

Order Codes LP(v2):

1/2" 230v LP(v2) NC
 3/4" 230v LP(v2) NC
 1" 230v LP(v2) NC

Power Absorption:

Inrush	Holding
23 vA	17 vA

Optional c/w 18.5 Watt Coil

Suitable for water pressure:

0 Bar – 10 Bar (AC Coils)
 0 Bar – 10 Bar (DC Coils)

Order Codes LP(v2):

1/2" 230v LP(v2)18.5W NC
 3/4" 230v LP(v2)18.5W NC
 1" 230v LP(v2)18.5W NC

Power Absorption:

Inrush	Holding
33 vA	24 vA

Body: Brass

Tube and internal parts: Stainless steel

Seals and gaskets: EPDM WRAS Certified

WRAS certified and pressure tested to
 10.5 bar | 90°C hot and cold water |
 200,000 cycles.



ROBERT PEARSON & COMPANY LTD

Post Office House, Post Office Lane
 Stockton, Warminster
 Wiltshire BA12 0SE

Telephone: (01985) 850954
 Facsimile: (01985) 850112

E-Mail: sales@robertpearson.co.uk
 Website: www.robertpearson.co.uk