



Failsafe Open Actuated WRAS Ball Valve: 1¼" to 2" sizes

IP67 Actuator available in 12–24vDC option, 24vAC option or 110–240vAC option

**c/w Manual Override as standard
Does not get hot | Can be plumbed in either way round**

When power is applied the RP/ABVM-Failsafe actuator will actuate the ball valve into the 'CLOSED' position and will then recharge the internal capacitor. Allow a minimum power ON time of 60 seconds per operation to allow the failsafe open capacitor to charge. When in position and recharged the actuator only takes greatly reduced 'holding' power and the valve stays in that position. When electrical power is removed the actuator detects the power loss and draws power from its internal capacitor (electrical storage) which enables the ball valve to automatically return to the default 'OPEN' position.



Power

Moving: 22 Watts - Max 1 Amp

Torque 15 Nm

Media: air – water

Pressure range: 0 Bar – 10 Bar maximum

Media temperature: 0°C to +90°C

Ambient temperature: –15°C to +60°C

Continuous duty: 100%

Duty cycle: 70,000

Operating time: 10 Sec approx.

Valve Body: 304 stainless steel

Seals: WRAS EPDM + PTFE

Actuator: ABS Engineering Plastic; Gears – Metal
IP67 Enclosure; Pre-wired with 0.5m cable

As standard: Visual position indicator

Manual override

E2 volt free fully open and fully closed position
feedback switches 0–36vDC 0.4 Amp max.

110–240vAC Option

Suitable for water pressure:

0 Bar – 10 Bar

Failsafe OPEN Order Codes:

1¼" RP/ABVM/110–240V/FSO

1½" RP/ABVM/110–240V/FSO

2" RP/ABVM/110–240V/FSO

12–24vDC Option

Suitable for water pressure:

0 Bar – 10 Bar

Failsafe OPEN Order Codes:

1¼" RP/ABVM/12-24vDC/FSO

1½" RP/ABVM/12-24vDC/FSO

2" RP/ABVM/12-24vDC/FSO

24vAC Option

Suitable for water pressure:

0 Bar – 10 Bar

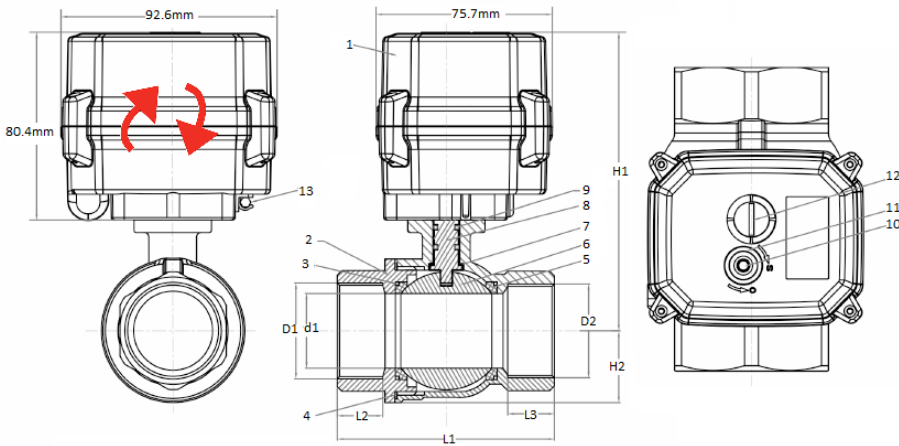
Failsafe OPEN Order Codes:

1¼" RP/ABVM/24vAC/FSO

1½" RP/ABVM/24vAC/FSO

2" RP/ABVM/24vAC/FSO

Overall Dimensions

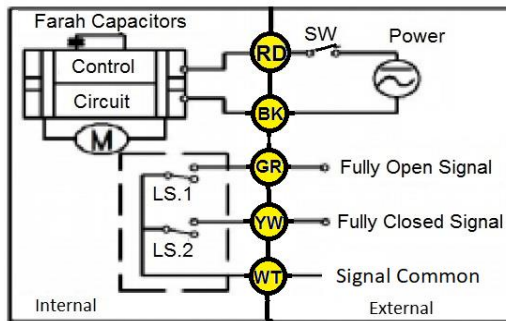


Port	Bore D1	L1	L2 / L3	E1	H1	H2	KG
11/4	32	102	23	47	122	31	1.4
11/2	38	115	25	52	130	36	1.7
2	50	130	25	66	141.4	44.5	2.3

1	Actuator	PPO	8	Stem	Stainless
2	Cover	Stainless	9	O Ring	EPDM
3	O Ring	EPDM	10	Screw	Stainless
4	Seal	PTFE	11	O Ring	NBR
5	Seal	PTFE	12	Indicator	PC
6	Ball	Stainless	13	Allen Key	Steel
7	Gasket	PTFE			

Wiring Diagrams

Failsafe - Automatic Return



Position Feedback: Green Open, Yellow Closed, White common

Failsafe Control.

Power ON motor actuates valve into powered position.
Valve stays in powered position.

Power OFF motor actuates valve back to start position using reserve power.
Valve stays in start position.



ROBERT PEARSON & COMPANY LTD

Post Office House, Post Office Lane
Stockton, Warminster
Wiltshire BA12 0SE

Telephone: (01985) 850954
Facsimile: (01985) 850112

E-Mail: sales@robertpearson.co.uk
Website: www.robertpearson.co.uk