



Power Open Power Close Actuated WRAS Ball Valve 1 1/4" – 2" Sizes

IP67 Actuator available in 12–24vDC option, 24vAC option or 110–240vAC option

**Only takes power when valve is being opened or closed
Does not get hot | Can be plumbed in either way round**



Power

Moving only: 22 Watts | Max. 1 Amp

Torque 15 Nm

Media: air – water

Pressure range: 0 Bar – 10 Bar maximum

Media temperature: 0°C to +90°C

Ambient temperature: –15°C to +60°C

Continuous duty: 100%

Duty cycle: 70,000

Operating time: 10 Sec approx.

Valve Body: 304 stainless steel

Seals: WRAS PTFE, ABV

Actuator: ABS Engineering Plastic; Gears – Metal
IP67 Enclosure; Pre-wired – 0.5 m;

As standard: Visual position indicator

Manual override

E2 volt free fully open and fully closed position
feedback switches 0–36vDC 0.4 Amp max.

12–24vDC Option

Suitable for water pressure:

0 Bar – 10 Bar

**Power-OPEN Power-CLOSE
Order Codes:**

1 1/4" RP/ABVM/12-24VDC/POPC

1 1/2" RP/ABVM/12-24VDC/POPC

2" RP/ABVM/12-24VDC/POPC

24vAC Option

Suitable for water pressure:

0 Bar – 10 Bar

**Power-OPEN Power-CLOSE
Order Codes:**

1 1/4" RP/ABVM/24VAC/POPC

1 1/2" RP/ABVM/24VAC/POPC

2" RP/ABVM/24VAC/POPC

110–240vAC Option

Suitable for water pressure:

0 Bar – 10 Bar

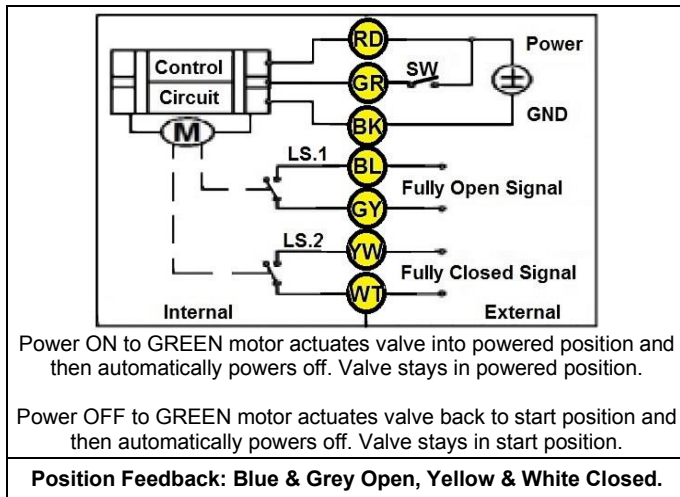
**Power-OPEN Power-CLOSE
Order Codes:**

1 1/4" RP/ABVM/110–240V/POPC

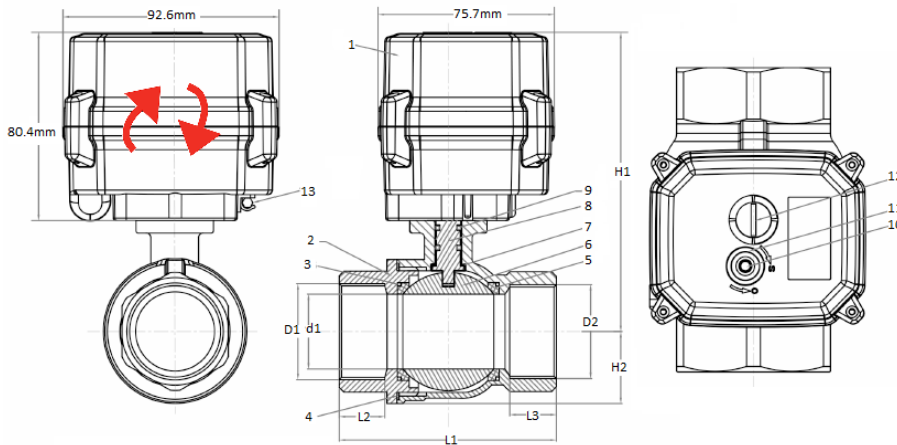
1 1/2" RP/ABVM/110–240V/POPC

2" RP/ABVM/110–240V/POPC

Wiring Diagram



Overall Dimensions



Port	Bore D1	L1	L2 / L3	E1	H1	H2
1 1/4	32	102	23	47	122	31
1 1/2	38	115	25	52	130	36
2	50	130	25	66	141.4	44.5

1	Actuator	PPO	8	Stem	Stainless
2	Cover	Stainless	9	O Ring	FKM
3	O Ring	FKM	10	Screw	Stainless
4	Seal	PTFE	11	O Ring	NBR
5	Seal	PTFE	12	Indicator	PC
6	Ball	Stainless	13	Allen Key	Steel
7	Gasket	PTFE			



ROBERT PEARSON & COMPANY LTD

Post Office House, Post Office Lane
Stockton, Warminster
Wiltshire BA12 0SE

Telephone: (01985) 850954
Facsimile: (01985) 850112

E-Mail: sales@robertpearson.co.uk
Website: www.robertpearson.co.uk