

# Zero Rated Normally Closed Solenoid Valves [ $\frac{1}{2}$ " – $\frac{3}{4}$ " sizes]

## Pilot Operated Hung Diaphragm (POHD) 230v Normally Closed WRAS Approved Solenoid Valves

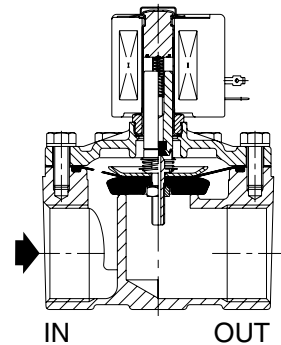
Two way shut-off valves for the control of water, air and other inert gases/liquids compatible with the sealing material used. Suitable for group 1 and group 2 fluids.

Operates from 0 Bar pressure differential



- Strainers are recommended to protect the valves from debris
- Mounting position: piping horizontal, solenoid upright
- 24vAC and 24vDC options available on request
- Optional magnetic valve opener. Allows you to open valve without power
- Voltage  $\pm 10\%$ . Continuous Duty 100 %
- **WRAS EPDM Seals as standard** | NBR, FPM and CR seals available on request

### Normally Closed Function



### $\frac{1}{2}$ " – $\frac{3}{4}$ " Zero Rated POHD NC Valves

Response time: 15–120 ms

Ambient temperature:  $-20^{\circ}\text{C}$  to  $+75^{\circ}\text{C}$

Max viscosity:  $\sim 65$  cStokes ( $\text{mm}^2/\text{s}$ )

WRAS approval no: 260402001

### Materials in contact with fluid\*

Body: Brass

Core tube: Stainless steel

Core and plug nut: Stainless steel

Springs: Stainless steel

Seat: Brass

Seals, diaphragm and disc: EPDM

Disc holder (no function): Brass

Shading coil: Copper

\* verify the compatibility of fluid with material in contact

### Electrical Characteristics

Coil insulation class: F or H

Connector: Large DIN Plug

(cable  $\varnothing 6-10\text{mm}$ )

ISO 4400, form A

Moulded IP65 (EN 60529)

Electrical safety: IEC 335

### Suitable for water pressure:

0 Bar – 9 Bar (AC Coils)

0 Bar – 3 Bar (DC Coils)

### Order Codes (POHD):

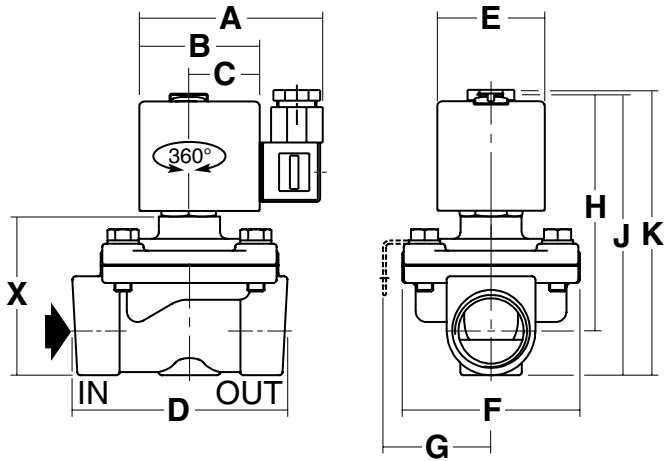
$\frac{1}{2}$ " 230v POHD LP NC Solenoid Valve

$\frac{3}{4}$ " 230v POHD LP NC Solenoid Valve

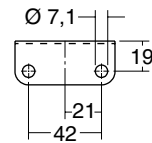
### Power Ratings:

230v/50Hz			24v DC	
Inrush	Holding		Hot	Cold
(VA)	(VA)	(W)	(W)	(W)
55	23	10.5	9	11.2

Dimensions and weight for **WRAS Approved** 1/2" – 3/4" sizes



	A	B	C	D	E	F	G	H	J	K	X	weight <sup>(2)</sup>
1/2" 230v POHD LP NC Solenoid Valve	80	50	30	70	45	58	41	80	97	109	46	0,8
3/4" 230v POHD LP NC Solenoid Valve	80	50	30	73	45	58	41	89	103	121	54	1,0



Mounting brackets  
for valves: 0,3 kg



## ROBERT PEARSON & COMPANY LTD

Post Office House, Post Office Lane  
Stockton, Warminster  
Wiltshire BA12 0SE

Telephone: (01985) 850954  
Facsimile: (01985) 850112

E-Mail: [sales@robertpearson.co.uk](mailto:sales@robertpearson.co.uk)  
Website: [www.robertpearson.co.uk](http://www.robertpearson.co.uk)