

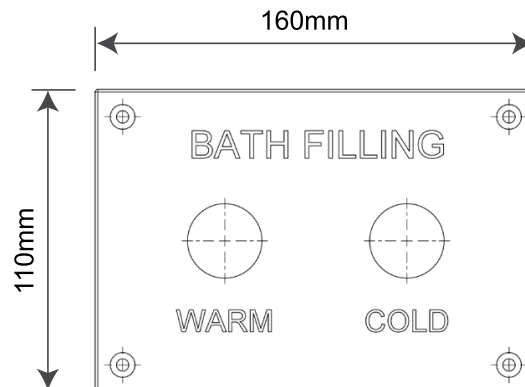
# WARM / COLD BATH FILLING BACKPLATE

Brushed Stainless Steel • Warm / Cold indication • High-security & Anti-vandal

Warm / Cold Bath Backplates do not include touchpad switches. You will require 2 × Bath Filling Plate Touchpads (BFPTP) to control 2 × solenoid valves. These need to be ordered separately.



Order Code: BFP-WARM-COLD



## BFP-WARM-COLD

### TECHNICAL DATA

Material ..... Stainless steel

Finish ..... Brushed

Gross weight ..... 0.4 kg

Overall dims ..... 160mm (w) x 110mm (h) x 3mm (d)

Type of mounting ..... 4 × countersunk screw holes (screws NOT supplied)



## ROBERT PEARSON & COMPANY LTD

Post Office House, Post Office Lane  
Stockton, Warminster  
Wiltshire BA12 0SE

Telephone: (01985) 850954

Facsimile: (01985) 850112

E-Mail: [sales@robertpearson.co.uk](mailto:sales@robertpearson.co.uk)

Website: [www.robertpearson.co.uk](http://www.robertpearson.co.uk)