

# ANTI-LIGATURE AND/OR VANDAL RESISTANT TAP SPOUTS & SHOWER HEADS

**Ideal for Custodial/Mental Health applications as well as Public/Commercial applications where vandalism might be a risk.**

## Panel Mounted Models

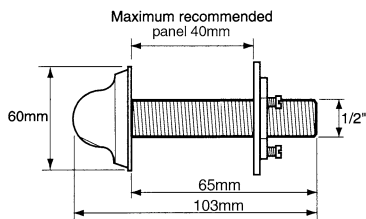
### Anti-Ligature Tap Spouts and Anti-Ligature Shower Heads

- Made from brass with a nickel plated finish
- Suitable for water pressures from: minimum 0.5 Bar – maximum 6.0 Bar
- Spray angle: 25°
- Integral water flow regulator – 6 Lpm for Spout, 8 Lpm for Shower Head
- Anti-rotation plate prevents people moving/rotating the spout once it has been installed

#### Panel Mounted Version

(suitable for panels up to 40mm thick)

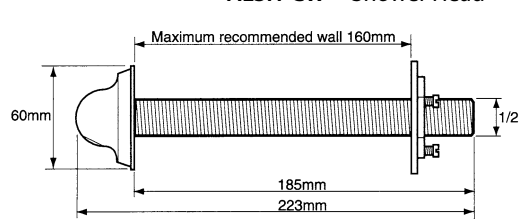
Order Codes: **ALBS-PM** Basin Spout  
**ALSH-PM** Shower Head



#### Cross Wall Mounted Version

(suitable for walls up to 160mm thick)

Order Codes: **ALBS-CW** Basin Spout  
**ALSH-CW** Shower Head

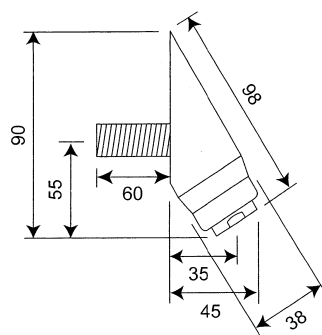


### Vandal Resistant Stainless Steel Tap Spout



#### Panel Mounted

Order Code:  
**VRTS-PM** Tap Spout

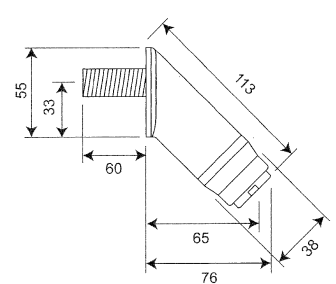


### Vandal Resistant Stainless Steel Bath Spout



#### Panel Mounted

Order Code:  
**VRBS-PM** Bath Spout  
**VRBS(Tap)-PM** Tap Spout



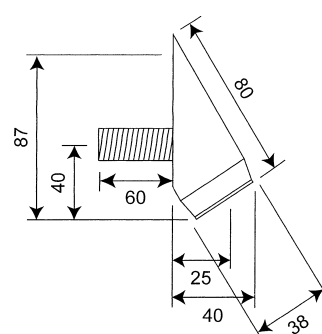
## Ceiling Mounted Model

### Vandal Resistant Stainless Steel Shower Head



#### Panel Mounted

Order Code:  
**VRSH-PM** Shower Head

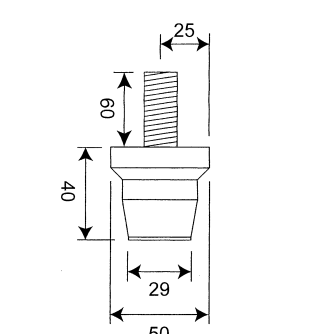


### Anti-Ligature Shower Head



#### Ceiling Mounted

Order Code:  
**ALCMSh-PM** Shower Head



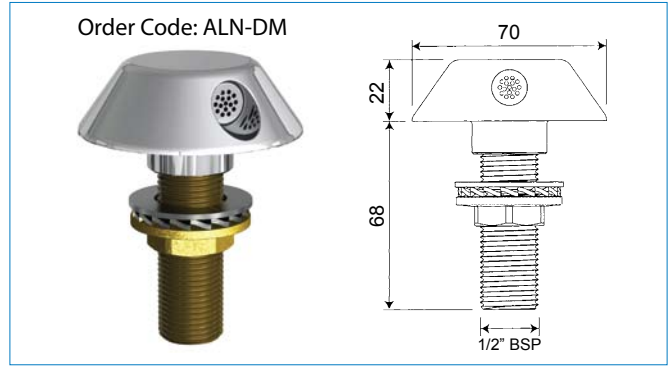
We offer optional extension threads if fitting spout / showerhead through a brick wall. Please advise of total wall thickness when enquiring.

**Use our Anti-Ligature "TPTS" model remote "No-Touch" Sensors or electronic Touchpad Switches to control the water flow to these spouts.**

## Basin/Deck Mounted anti-Ligature Steel Spout



Example of ALN-DM spout fitted to a basin



Use our Anti-Ligature "TPTS" model remote "No-Touch" Sensors or electronic Touchpad Switches to control the water flow to these spouts.

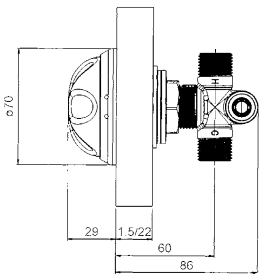
## Temperature Blending Valve (Manually Adjustable)

In public areas using a TMV2/3 Thermostatic Mixing Valve (set at 40°C *approx.*) is considered suitable to provide safe pre-mixed warm water to an appliance (tap, shower etc). The temperature is not adjustable by the public, only by the building manager.

If however you want to offer your customer the ability to manually adjust the temperature of the water between say 40°C and cold, then this robust & tamper proof Temperature Blending Valve should be used (NB: We would strongly recommend that you also use a Thermostatic Mixing Valve to safely control the maximum water temperature into the Temperature Blending Valve). We can also supply TMV3 Mixing Valves.



**not an on/off control**



**For 1.5mm – 22mm wall thickness.**

Order Code  
TBV/ADJ/22

Fixing 3/4" BSP.  
(28mm Ø clearance drill hole)

**Order Codes for greater wall thickness applications**

**For up to 180mm wall thickness.**

Order Code  
TBV/ADJ/180

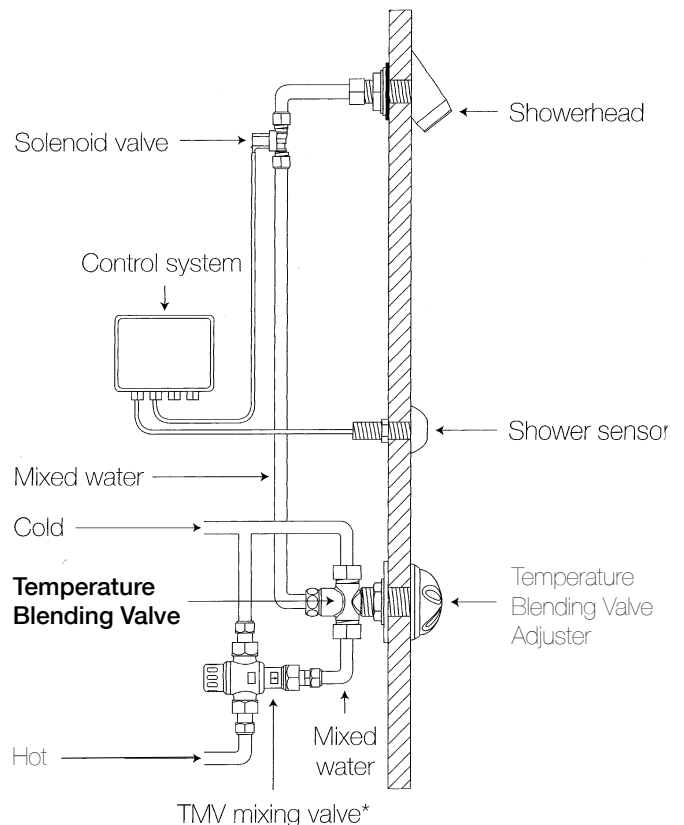
Fixing 3/4" BSP.  
(28mm Ø clearance drill hole)

**For up to 280mm wall thickness.**

Order Code  
TBV/ADJ/280

Fixing 3/4" BSP.  
(28mm Ø clearance drill hole)

**Typical Installation:** Plumbing guidelines for Shower using Temperature Blending Valve



## ROBERT PEARSON & COMPANY LTD

Post Office House, Post Office Lane  
Stockton, Warminster  
Wiltshire BA12 0SE

Telephone: (01985) 850954

Facsimile: (01985) 850112

E-Mail: [sales@robertpearson.co.uk](mailto:sales@robertpearson.co.uk)

Website: [www.robertpearson.co.uk](http://www.robertpearson.co.uk)