

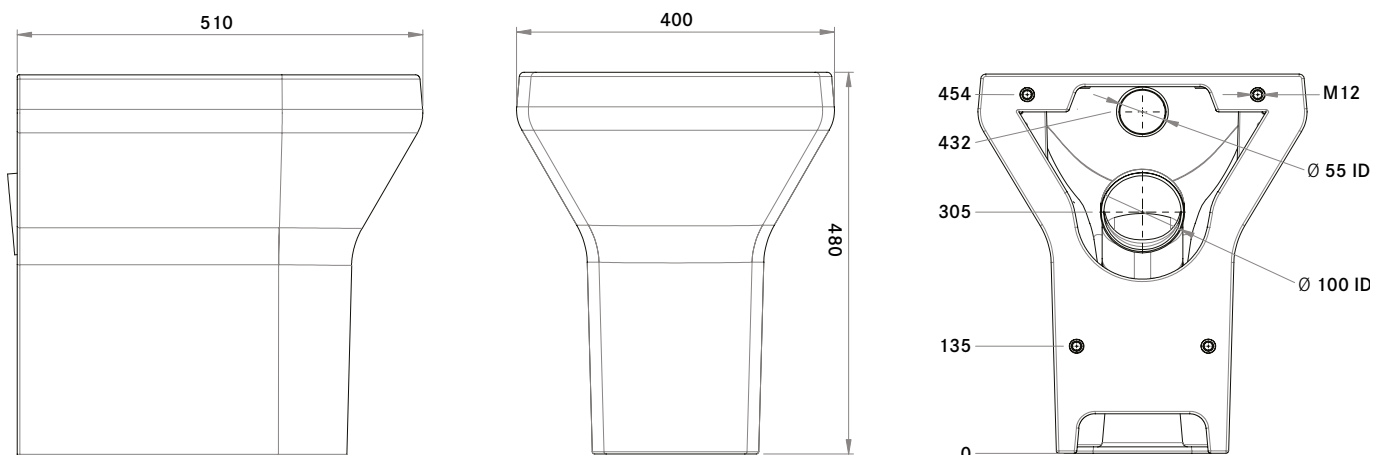
# HIGH SECURITY DISABLED WC PAN

Concealed rear waste outlet • Optional side in-fills • Large trap to reduce blockages

Please confirm total wall thickness as you may require fixing kit c/w optional extension threads



**Order Code: HSFP-DIS**



## HSFP-DIS

### TECHNICAL DATA

Material ..... High performance composite material  
Gross weight ..... 18.1 kg  
Overall dims ..... 510mm (d) x 400mm (w) x 480mm (h)  
Type of mounting ... Thru wall 4 x 12mm stainless steel threaded  
Flush inlet ..... Ø 55mm  
Waste outlet ..... Ø 100mm  
Fixing kit ..... For wall thickness up to 200mm as standard



## ROBERT PEARSON & COMPANY LTD

Post Office House, Post Office Lane  
Stockton, Warminster  
Wiltshire BA12 0SE

Telephone: (01985) 850954

Facsimile: (01985) 850112

E-Mail: [sales@robertpearson.co.uk](mailto:sales@robertpearson.co.uk)

Website: [www.robertpearson.co.uk](http://www.robertpearson.co.uk)