

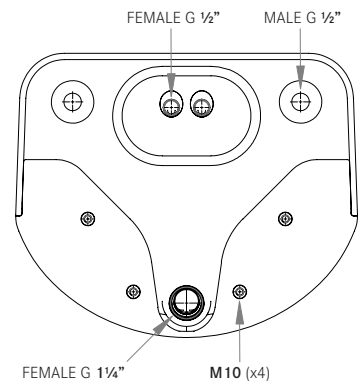
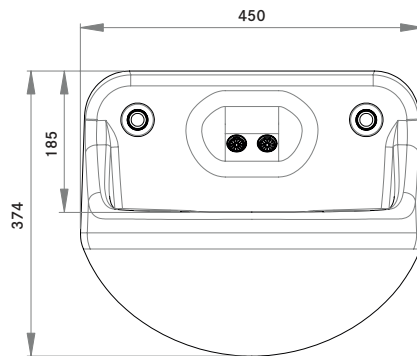
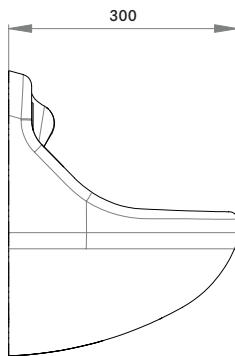
HIGH SECURITY INTEGRATED BASIN & BACKPLATE

Concealed rear waste outlet • In-built water spouts • Wave-on or tactile controls available

Basin c/w 70mm Fixing Kit. Backplates include spouts. Optional extension threads available for thicker walls.
Backplates do not include sensors or touchpads. These need to be ordered separately.



Order Code: HSWHB-INT



HSWHB-INT

TECHNICAL DATA

Gross weight 10 kg
Overall dims 450mm (w) x 374mm (h) x 300mm (d)
Type of mounting 4 x 10mm stainless steel threaded
Material GRP / Polyester gel coat
Water channel Integrated stainless steel water spouts
Spout insert 5 litres per minute (Lpm) pressure compensating as standard
Waste grid Stainless steel anti-ligature design
Waste outlet Requires 1 1/4" (32mm) running trap



ROBERT PEARSON & COMPANY LTD

Post Office House, Post Office Lane
Stockton, Warminster
Wiltshire BA12 0SE

Telephone: (01985) 850954

Facsimile: (01985) 850112

E-Mail: sales@robertpearson.co.uk

Website: www.robertpearson.co.uk