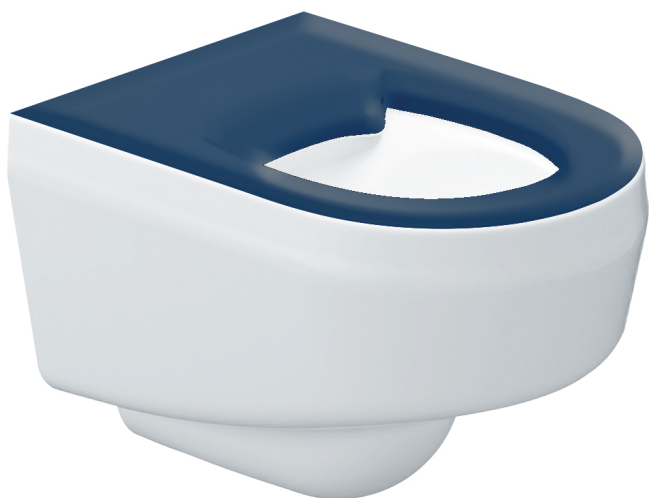


# HIGH SECURITY WALL HUNG BLUE TOP WC PAN

Concealed rear waste outlet • Optional side in-fills • Large trap to reduce blockages

Please confirm total wall thickness as you may require fixing kit c/w optional extension threads

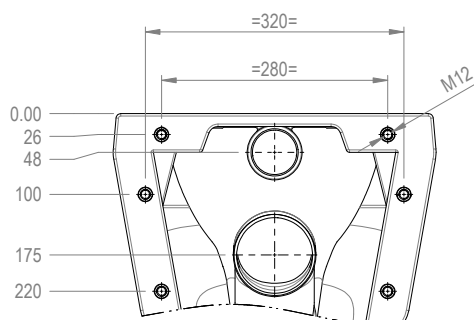
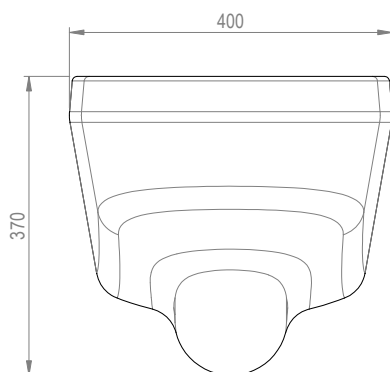
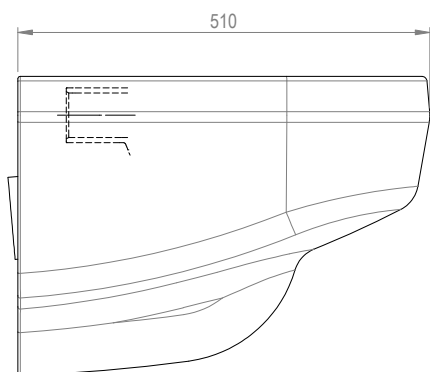


**Order Code: HSWP-Blue Gel**



**Order Code: HSWP-BRACKET**

Optional bracket when fitting high security wall hung WC through thin panel



## HSWP-Blue Gel

### TECHNICAL DATA

Material ..... High performance composite material  
 Gross weight ..... 14.7 kg  
 Overall dims ..... 510mm (d) x 400mm (w) x 370mm (h)  
 Type of mounting ... Thru wall 4 x 12mm stainless steel threaded  
 Flush inlet ..... Ø 55mm  
 Waste outlet ..... Ø 100mm  
 Fixing kit ..... For wall thickness up to 200mm as standard



## ROBERT PEARSON & COMPANY LTD

Post Office House, Post Office Lane  
 Stockton, Warminster  
 Wiltshire BA12 0SE

Telephone: (01985) 850954  
 Facsimile: (01985) 850112

E-Mail: [sales@robertpearson.co.uk](mailto:sales@robertpearson.co.uk)  
 Website: [www.robertpearson.co.uk](http://www.robertpearson.co.uk)