

HIGH SECURITY WALL HUNG WC PAN

Concealed rear waste outlet • Optional side in-fills • Large trap to reduce blockages

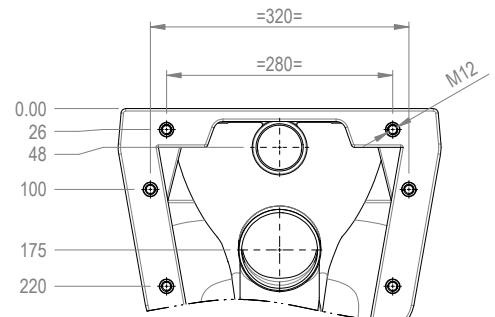
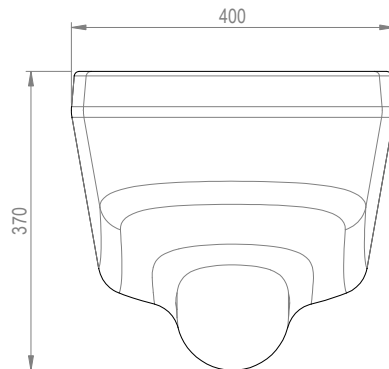
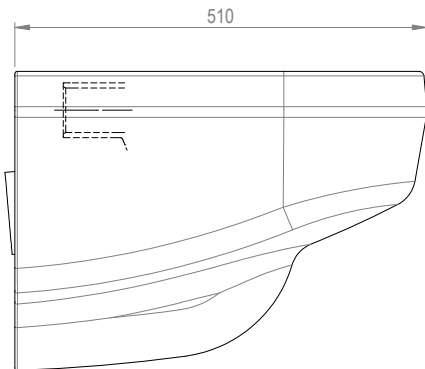
Please confirm total wall thickness as you may require fixing kit c/w optional extension threads



Order Code: HSWP

Order Code: HSWP-BRACKET

Optional bracket when fitting high security wall hung WC through thin panel



HSWP

TECHNICAL DATA

Material High performance composite material
Gross weight 14.7 kg
Overall dims 510mm (d) x 400mm (w) x 370mm (h)
Type of mounting ... Thru wall 4 x 12mm stainless steel threaded
Flush inlet Ø 55mm
Waste outlet Ø 100mm
Fixing kit For wall thickness up to 200mm as standard



ROBERT PEARSON & COMPANY LTD

Post Office House, Post Office Lane
Stockton, Warminster
Wiltshire BA12 0SE

Telephone: (01985) 850954

Facsimile: (01985) 850112

E-Mail: sales@robertpearson.co.uk

Website: www.robertpearson.co.uk