

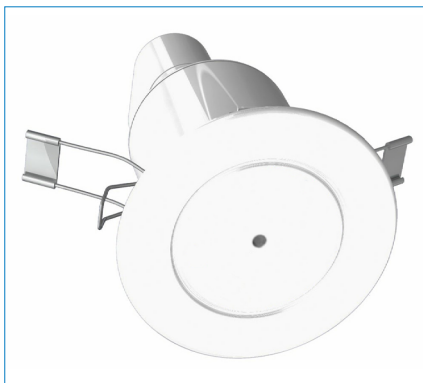
PDLM/SOLO Model Ceiling Recessed PIR Individual Urinal Flushvalve Kit | Ø 80mm

Only the urinal bowl being used gets flushed—meaning even greater water savings

Ideal solution (for suspended or plasterboard ceilings) if you cannot fit one of our SBUFC(v2) range of panel-mounted forward facing individual urinal sensors

NOT designed for use with a urinal cistern with automatic flushing siphon

*Ceiling recessed PIR sensor to fit directly above where a person stands at the urinal bowl, to provide individual control of each urinal bowl so that only the urinal bowl that has actually been used gets a short flush delivered within a few seconds of the person finishing and walking away. **You need 1 x kit for every urinal bowl.***



Order Codes:

PDLM/SOLO Mains powered kit

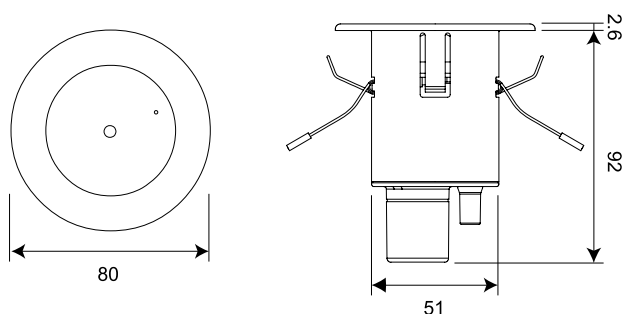
Dimensions:
Ø 80mm x 95mm (D)

Each kit c/w:

WRAS approved 15mm solenoid valve
Narrow sensing range PIR sensor & adjustable time controls
Separate transformer unit (to be wired to 3A fused spur)

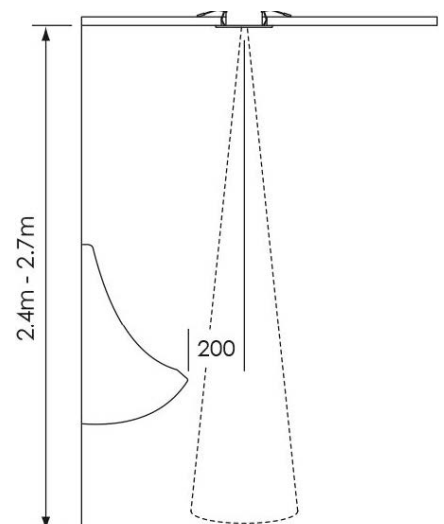
The PDLM/SOLO will only accept someone as a user if they stand under the beam for 5 seconds or more. When the user walks away there is a 3 second delay before the controller flushes for the set time. The rotary switch on the PCB allows flush time settings from 1 second to 9 seconds.

Dimensions



Mounting

The PDLM/SOLO has a very narrow sensing area and must be installed correctly to function properly. Measure 200mm from the front edge of the urinal bowl, vertically above this, in a suspended ceiling 2.4m – 2.7m above floor height, will give the centre point for the correct ceiling mounting position of the PDLM/SOLO. It is recommended that you fit a strainer and an isolating/servicing valve prior to the solenoid valve.



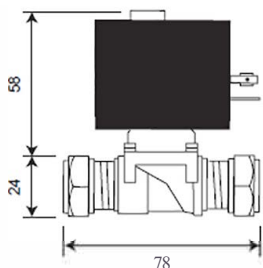


Please specify correct WRAS approved Solenoid Valves for your site conditions

Standard high pressure (HP)
0.75 Bar – 10 Bar

ORDER CODE

15mm 6v G202 Valve



TECHNICAL DATA

Material Brass
O-ring/washers..... Nitrile
Pressure rating 0.75 Bar – 10 Bar
Orifice 12.7mm
Connection 15mm compression
Voltage 6vDC
Operation type Latching

Optional low pressure (LP)
0 Bar – 1.5 Bar maximum

ORDER CODE

15mm 6v (4mm) Valve

TECHNICAL DATA

Material Brass
O-ring/washers..... Nitrile
Pressure rating 0 Bar – 1.5 Bar max.
Orifice 4mm
Connection 15mm compression
Voltage 6vDC
Operation type Latching

PRESSURE (Bar) FLOW RATE (Approx.)

0.1 Bar 2.20 l/min
0.2 Bar 3.20 l/min
0.3 Bar 3.90 l/min
0.4 Bar 4.50 l/min
0.5 Bar 5.00 l/min
1.0 Bar 7.20 l/min

Optional very low pressure (VLP)
0 Bar – 0.45 Bar maximum

ORDER CODE

15mm 6v (6.7mm) Valve

TECHNICAL DATA

Material Brass
O-ring/washers..... Nitrile
Pressure rating 0 Bar – 0.5 Bar max.
Orifice 6.7mm
Connection 15mm compression
Voltage 6vDC
Operation type Latching

PRESSURE (Bar) FLOW RATE (Approx.)

0.1 Bar 4.30 l/min
0.2 Bar 6.10 l/min
0.3 Bar 7.50 l/min
0.4 Bar 8.70 l/min

Water pressure: The standard solenoid valve is rated for water pressures of 0.75 Bar – 10 Bar, although we suggest a maximum pressure of 5 Bar. We also offer optional low pressure valves.



ROBERT PEARSON & COMPANY LTD

Post Office House, Post Office Lane
Stockton, Warminster
Wiltshire BA12 0SE

Telephone: (01985) 850954
Facsimile: (01985) 850112
E-Mail: sales@robertpearson.co.uk
Website: www.robertpearson.co.uk