

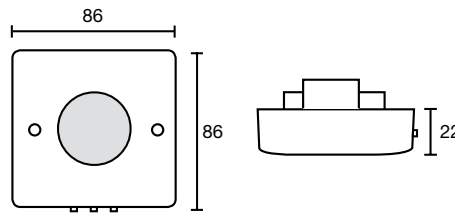
Ceiling Surface Mounted 230v Indoor Square PIR Absence Switch

Can be mounted on a square pattress box.

Ideal for meeting rooms, hotel rooms, student/military accommodation, classrooms etc.

When someone enters a room the lights are manually turned on using a momentary wall switch.

When the occupant leaves the room or area of detection the 230v Indoor PIR Absence Switch automatically switches the lights off after a pre-selected time. The override OFF function allows the occupant to turn the lights off from the momentary wall switch (while the 230v Indoor PIR Absence Switch is in the ON state) without waiting for the pre-selected time lag to time out. The lights can be switched back ON by operating the momentary wall switch in the usual way.



Order Code:
PIR/ABS/D/SCM
86mm x 86mm

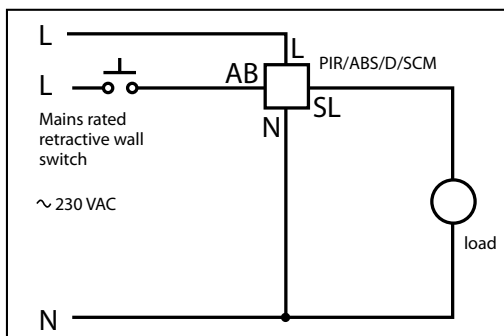
Specification

- Detection Zone: 360°
- Time lag range: 10 seconds to 40 minutes in 9 steps
- Photocell range: 30 to 1000 lux, and interactive
- Loading:
 - Up to 6 amps (1500W) of resistive loads.
 - Up to 6 amps (1500W) of fluorescent loads.
 - Up to 3 amps (750W) of electronic and wire wound transformer loads.
 - Up to 2 amps (500W) of CFL, 2D lamps, LED Drivers and LED lamps and fittings.
 - Up to 1 amp (250W) of fans.
- Minimum Load: 2W resistive, suitable for most energy saving lamps, LED's, contactors and emergency fittings
- Dimensions: 86 x 86 x 25mm. Requires back box depth 16mm

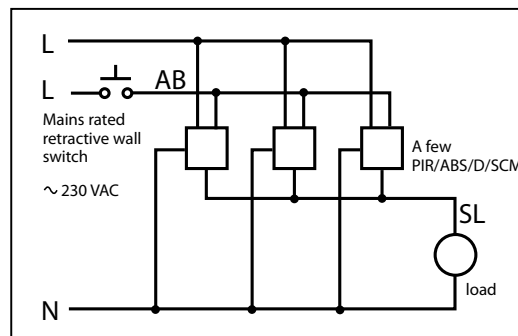
Wiring Diagrams

If required, several PIRs can be wired in parallel to control the same load.

Wiring diagram: Single absence detector



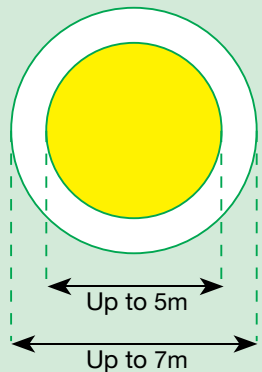
Wiring diagram: Multiple absence detectors



Detection

PIR Quad detector gives 124 detection areas within the zone

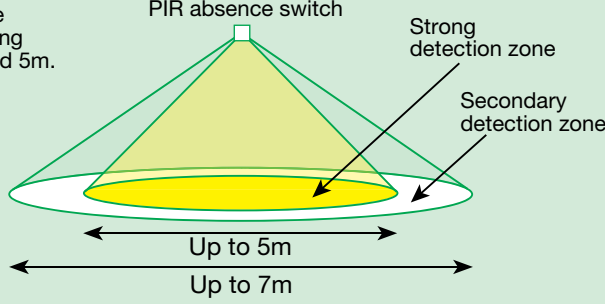
Plan view of detection zone



Up to 5m
Up to 7m

Perspective view of detection zone

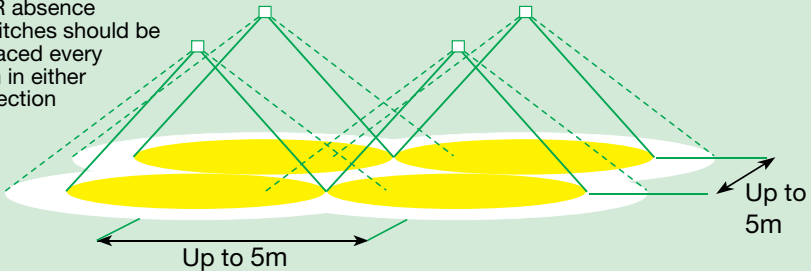
For optimum coverage recommended mounting height between 2.4 and 5m.



PIR absence switch
Strong detection zone
Secondary detection zone
Up to 5m
Up to 7m

Several PIR absence switches

In open plan areas
For best coverage the PIR absence switches should be spaced every 5m in either direction



Up to 5m
Up to 5m

PIR Quad detector gives 124 detection areas within the zone

- Strong detection zone i.e. person moving arm
- Secondary detection zone i.e. person walking (less sensitive when walking straight towards PIR switch)



ROBERT PEARSON & COMPANY LTD

Post Office House, Post Office Lane
Stockton, Warminster
Wiltshire BA12 0SE

Telephone: (01985) 850954

Facsimile: (01985) 850112

E-Mail: sales@robertpearson.co.uk

Website: www.robertpearson.co.uk