

230v Indoor Ceiling Recessed PIR Occupancy Switch

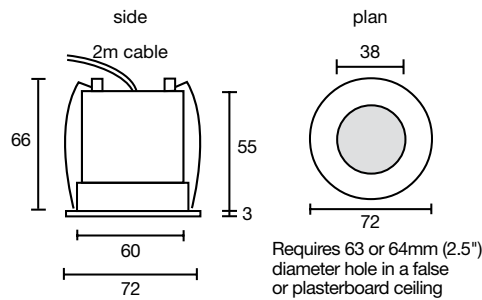
Designed for flush mounting through suspended or plasterboard ceilings

Up to 70% Energy Savings

Saves energy and money: By ensuring lights are turned off automatically when room is empty.

Convenient: No more fumbling in the dark as the PIR will turn the lights on for you automatically

Ideal for: Factories, Hotels, Schools, Offices, Toilets, Kitchens, Corridors, Pubs & Clubs, Houses, Garages etc



Order Code:
PIR/D/REC
72mm diameter

Specification

Detection Zone:	360°
Time lag range:	10 seconds to 40 minutes in 9 steps
Photocell range:	30 to 1000 lux, and inactive
Loading:	Up to 6 amps (1500W) of resistive loads. Up to 6 amps (1500W) of fluorescent loads. Up to 3 amps (750W) of electronic and wire wound transformer loads. Up to 2 amps (500W) of CFL, 2D lamps, LED Drivers and LED lamps and fittings. Up to 1 amp (250W) of fans.
Minimum Load:	2W resistive, suitable for most energy saving lamps, LED's, contactors and emergency fittings
Dimensions:	72mm diameter x 68mm
Pre-wired:	They have a 2m cable, for quick installation

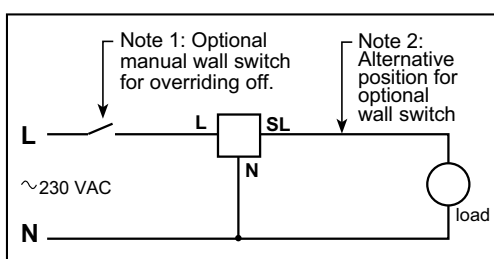
Options

PIR/D/REC/SEALED	Only available in 230v option. Protects against light splashes and condensation when installed in the ceiling. Ideal for bathrooms, shower rooms, etc.
PIR/D/REC/24V	24v model. Please specify whether 24vAc or 24vDC is required
PIR/D/REC/12V	12v model. Please specify whether 12vAc or 12vDC is required

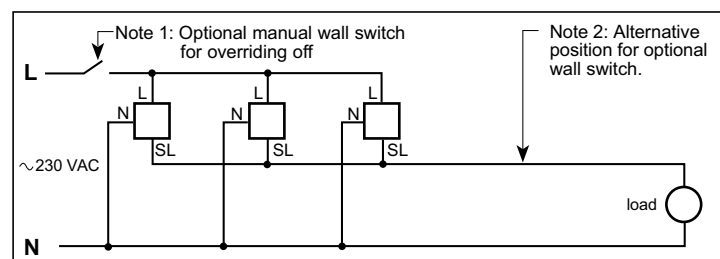
Wiring Diagrams

If required, several PIRs can be wired in parallel to control the same load.

Wiring diagram: Single presence detector



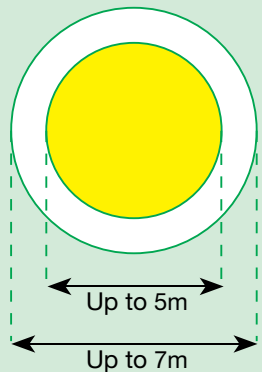
Wiring diagram: Multiple presence detectors



Detection

PIR Quad detector gives 124 detection areas within the zone

Plan view of detection zone



Up to 5m
Up to 7m

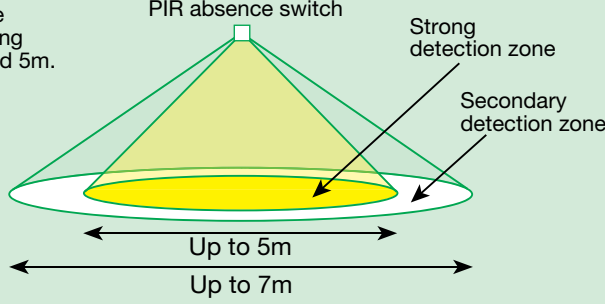
● Strong detection zone
i.e. person moving arm

○ Secondary detection zone
i.e. person walking (less sensitive when walking straight towards PIR switch)

PIR Quad detector gives 124 detection areas within the zone

Perspective view of detection zone

For optimum coverage recommended mounting height between 2.4 and 5m.



PIR absence switch

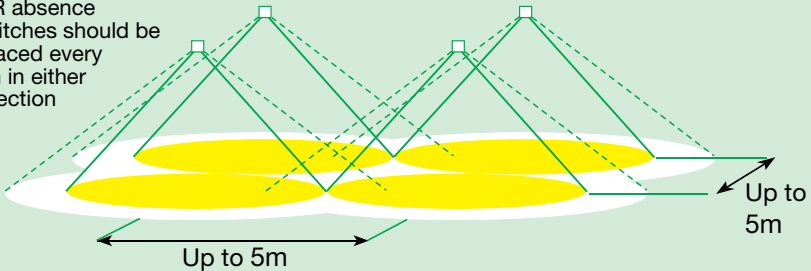
Strong detection zone

Secondary detection zone

Up to 5m
Up to 7m

Several PIR absence switches

In open plan areas
For best coverage the PIR absence switches should be spaced every 5m in either direction



Up to 5m
Up to 5m



ROBERT PEARSON & COMPANY LTD

Post Office House, Post Office Lane
Stockton, Warminster
Wiltshire BA12 0SE

Telephone: (01985) 850954

Facsimile: (01985) 850112

E-Mail: sales@robertpearson.co.uk

Website: www.robertpearson.co.uk