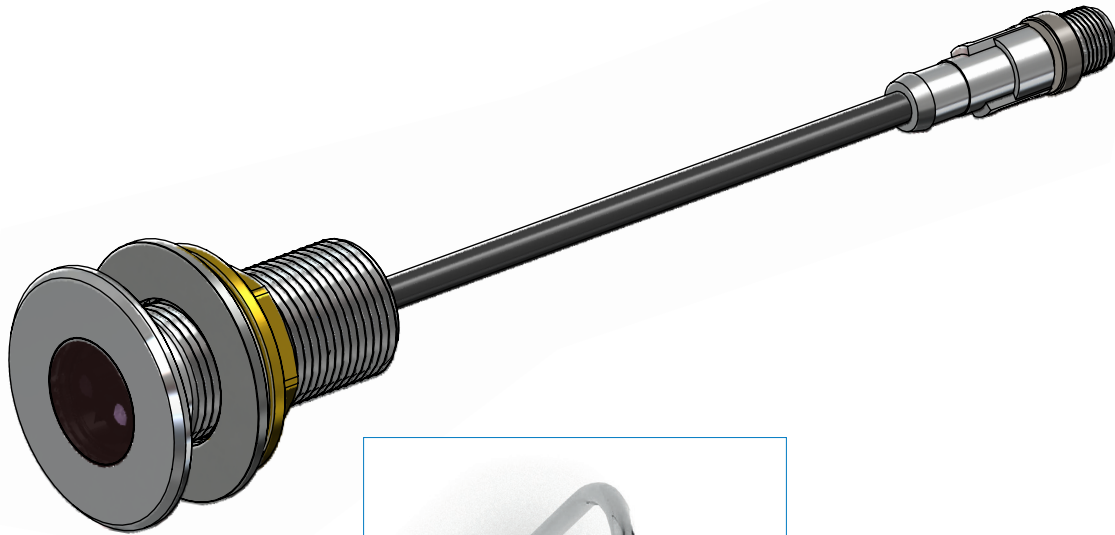


# PROGRAMMABLE PANEL MOUNTED SHOWER SENSOR

The Panel Mounted Programmable Shower Sensor is available in brushed stainless steel. Adjustable settings include; run-on time, sensor range, purge and more. You will need to purchase a hand held programmer to adjust settings by yourself on site.

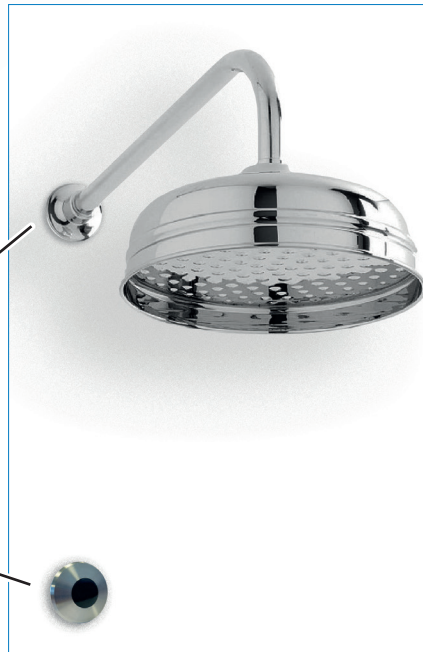
Simply put your hand within the detection zone of the sensor (just a few inches) to turn the water/shower on.

The water will now flow for the Run Time programmed before automatically turning off again. If, when the shower is on, you are (accidentally or otherwise) detected by the sensor again, the Run Time will now re-start from the moment of this new detection.



This could be your own shower head

Our sensor



Hand Held Programmer

## Shower Sensor Kit Order Codes:

### PsensS-B

Battery powered shower sensor kit

#### Kit c/w

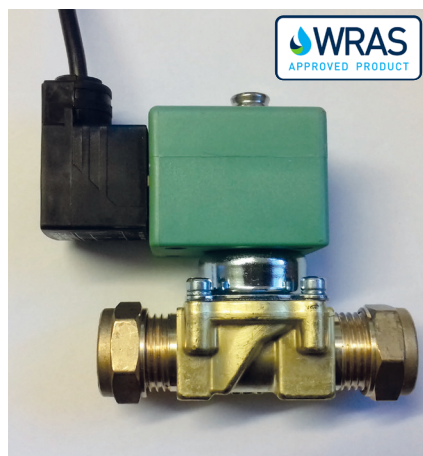
- 1 x Programmable Sensor
- 1 x Pre-wired 15mm Solenoid Valve
- 1 x Pre-wired Battery Pack

### PsensS-M

Mains powered shower sensor kit

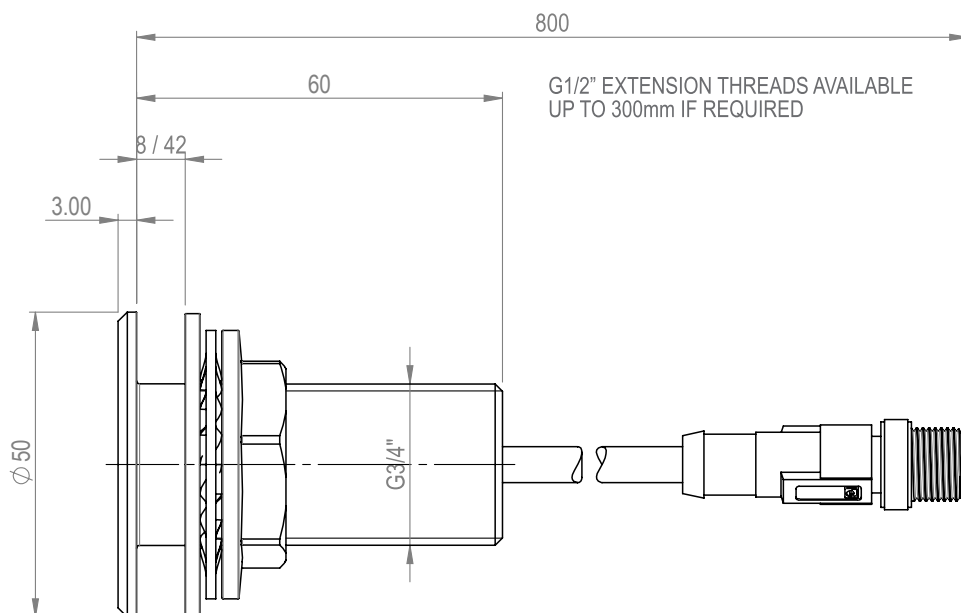
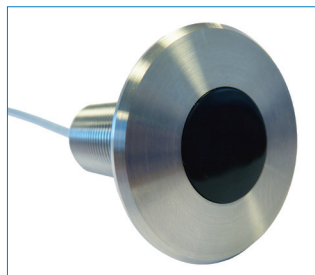
#### Kit c/w

- 1 x Programmable Sensor
- 1 x Pre-wired 15mm Solenoid Valve
- 1 x Pre-wired 6V PSU



Standard pre-wired 15mm G202 solenoid valve for water pressure 0.75 bar - 10 bar.

Optional low pressure valves also available on request.



## Technical Data:

<b>Cut-out hole</b>	Panel mounted (Ø28mm drill hole required).
<b>Sensing range</b>	Programmable from settings 1 – 3.
<b>Run time</b>	Default setting 1 minute. Programmable from: 30 seconds, 1, 2, 3, 4 and 5 minutes.
<b>Wave-on/Wave-off</b>	Normally OFF. If switched ON this allows you to turn the shower off, and immediately override the Run Time, by simply putting your hand within the detection zone of the sensor for a second time. (The shower will still turn itself after the Run Time if you do not).
<b>Anti-vandal time</b>	Run Time + 10 seconds. This is automatic water turn-off time in case someone puts e.g. chewing gum over the sensor to try and keep the shower head running constantly.
<b>Automatic purge</b>	When purge is programmed ON, if a shower has not been used for a certain period of time it will automatically turn itself on to purge itself to help prevent water dead legs. Shower non-use times before purge is activated from any of: 3, 6, 12, 24, 36 & 48 hours. Programmable water on time per purge from: 30 seconds, 1, 2, 4, & 8 minutes.
<b>Lock-out</b>	Normally OFF. When set ON this allows the system to lock out if a shower sensor has been activated for more than any of 4, 6, 8 & 10 operations in a single 15 minute period. The lock-out period is 15 minutes and the system will automatically re-set itself once the lock-out period has elapsed.



## ROBERT PEARSON & COMPANY LTD

Post Office House, Post Office Lane  
Stockton, Warminster  
Wiltshire BA12 0SE

Telephone: (01985) 850954

Facsimile: (01985) 850112

E-Mail: [sales@robertpearson.co.uk](mailto:sales@robertpearson.co.uk)

Website: [www.robertpearson.co.uk](http://www.robertpearson.co.uk)