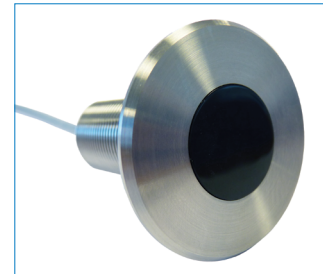
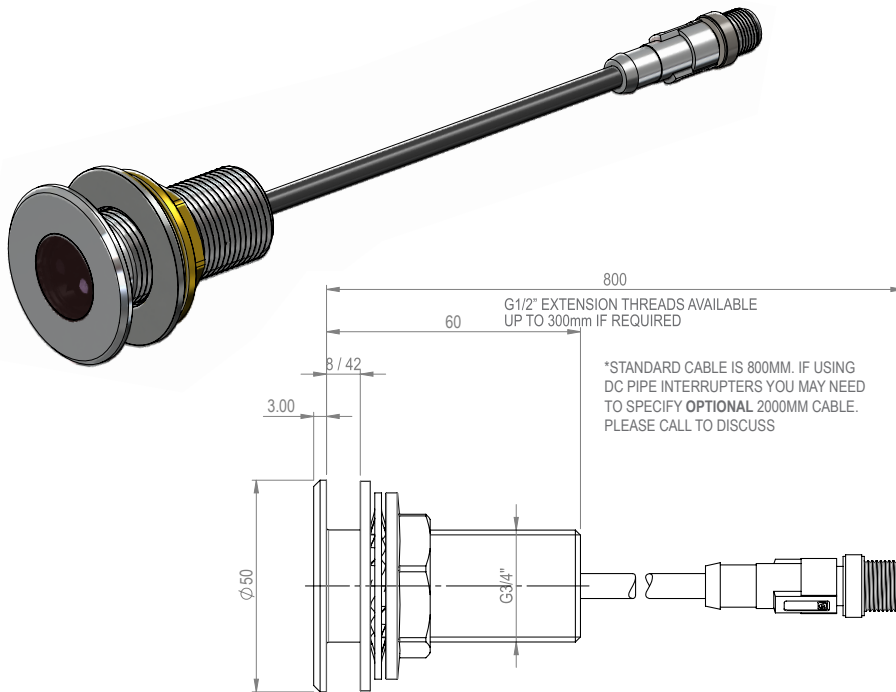


# Mains Programmable Individual Urinal Sensor

You will need to purchase a hand held programmer to adjust the settings yourself on site

The Panel Mounted Programmable Individual Urinal Sensor is available in brushed stainless steel. Adjustable settings include; run-on time, sensor range, purge and more. Fit the sensor in the panel directly above the urinal bowl, so that the sensor can detect a person standing in front of it. The sensor needs to constantly detect someone at the urinal for at least 10 seconds before going into flush mode (to prevent someone walking down the range of urinals and setting them all off accidentally!). The flush will occur within a few seconds of the person walking away from the urinal.



Hand Held Programmer

## Tap Sensor Kit Order Code:

### PsensU-M

Mains powered shower sensor kit

### Kit c/w

- 1 x Programmable Sensor
- 1 x Pre-wired 15mm Solenoid Valve
- 1 x Pre-wired 6V PSU

## Technical Data:

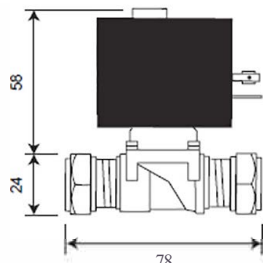
<b>Cut-out Hole</b>	Panel mounted (Ø28mm drill hole required).
<b>Sensing Range</b>	Default 5. Adjustable 1 – 10.
<b>Pre-Flush Wait</b>	Default 1 second. Adjustable between 1 – 2 seconds.
<b>Pre-Flush Time</b>	Default OFF. Adjustable 1 – 3 seconds. When set to ON, this allows a “pre-flush” which is a short flush as the person arrives at the bowl.
<b>Main Flush Wait</b>	10 seconds. NOT adjustable. Person must be constantly detected for at least 10 seconds before the system will allow a main flush to occur when the person walks away again from the urinal.
<b>Main Flush Time</b>	Default 2 seconds. Adjustable from 2, 2.5, 3, 3.5, 4, 4.5, 5, 5.5, 6, 6.5, 7, 7.5, 8, 8.5, 9, 9.5 & 10 seconds. The main flush occurs within a few seconds of the person finishing and walking away from the urinal bowl.
<b>Automatic Purge</b>	Default OFF. When set to ON the system will create a Purge Flush if the Urinal has not been used for your choice of 6, 12, 24, 36, 48 or 72 hours.
<b>Purge Run Times</b>	Default 4 seconds. Adjustable 2, 4, 6, 8 or 10 seconds. This is the length of time the valve will open for on each Purge flush.



## Please specify correct WRAS approved Solenoid Valves for your site conditions

### Standard high pressure (HP) 0.75 Bar – 10 Bar

ORDER CODE  
15mm 6v G202 Valve



#### TECHNICAL DATA

Material ..... Brass  
O-ring/washers..... Nitrile  
Pressure rating ..... 0.75 Bar – 10 Bar  
Orifice ..... 12.7mm  
Connection ..... 15mm compression  
Voltage ..... 6vDC  
Operation type ..... Latching

### Optional low pressure (LP) 0 Bar – 1.5 Bar maximum

ORDER CODE  
15mm 6v (4mm) Valve

#### TECHNICAL DATA

Material ..... Brass  
O-ring/washers..... Nitrile  
Pressure rating ..... 0 Bar – 1.5 Bar max.  
Orifice ..... 4mm  
Connection ..... 15mm compression  
Voltage ..... 6vDC  
Operation type ..... Latching

#### PRESSURE (Bar) FLOW RATE (Approx.)

0.1 Bar ..... 2.20 l/min  
0.2 Bar ..... 3.20 l/min  
0.3 Bar ..... 3.90 l/min  
0.4 Bar ..... 4.50 l/min  
0.5 Bar ..... 5.00 l/min  
1.0 Bar ..... 7.20 l/min

### Optional very low pressure (VLP) 0 Bar – 0.45 Bar maximum

ORDER CODE  
15mm 6v (6.7mm) Valve

#### TECHNICAL DATA

Material ..... Brass  
O-ring/washers..... Nitrile  
Pressure rating ..... 0 Bar – 0.5 Bar max.  
Orifice ..... 6.7mm  
Connection ..... 15mm compression  
Voltage ..... 6vDC  
Operation type ..... Latching

#### PRESSURE (Bar) FLOW RATE (Approx.)

0.1 Bar ..... 4.30 l/min  
0.2 Bar ..... 6.10 l/min  
0.3 Bar ..... 7.50 l/min  
0.4 Bar ..... 8.70 l/min

**Water pressure:** The standard solenoid valve is rated for water pressures of 0.75 Bar – 10 Bar, although we suggest a maximum pressure of 5 Bar. We also offer optional low pressure valves.

**Electrical requirements:** Each mains-powered kit requires a 3 amp protected fused spur. If specified at time of order we can arrange the kits so you can run up to 3 showers from a single 6v Power Supply Unit. You will need an additional 'Y' connector for our 2 tap kits, and 2 additional 'Y' Connectors and an extension 'D'-lead for our 3 tap kits.



## ROBERT PEARSON & COMPANY LTD

Post Office House, Post Office Lane  
Stockton, Warminster  
Wiltshire BA12 0SE

Telephone: (01985) 850954  
Facsimile: (01985) 850112  
E-Mail: sales@robertpearson.co.uk  
Website: www.robertpearson.co.uk