

# FAILSAFE CLOSED Actuated WRAS Ball Valve 0–40 Bar

c/w visual position indicator, manual override, volt-free feedback cam switches | IP67

**A minimum 1 minute stop time is required between cycles, for cooling**

When power is applied the **RP-CN-X20-2BW-Failsafe CLOSED** actuator will actuate the ball valve into the open position (This takes approximately 10–15 seconds) and will then recharge the internal capacitor (a minimum 1 minute stop time is required between cycles, for cooling). When in the open position, and recharged, the actuator only takes greatly reduced power (0.6W) for the internal space heater, and the valve stays in that position. When electrical power is removed the actuator detects the power loss and draws power from its internal capacitor (electrical storage) which enables the ball valve to automatically return to the default CLOSED position. **Also available Failsafe OPEN.**



## Technical Specification

Media: **air – water – gas – oil**  
 Pressure range: **0 Bar – 40 Bar maximum**  
 Media temperature: **–20°C to +80°C**  
 Ambient temperature: **–20°C to +60°C**  
 Cycles: **20,000**  
 Operating time: **10–15 Sec**  
 Duty cycle: **75% (min 1 minute stop between cycles for cooling)**  
 Mounting: **horizontal or vertical (not inverted)**

## 20Nm Actuator for ½" – 2" size WRAS ball valves

Torque working: **20Nm**  
 Torque max break: **25Nm**  
 Multiple ISO 5211 mountings: **F03 / F04 / F05 x 14mm**

Valve Body: Brass CW 617N and CW 614N  
 Seals: PTFE; Viton + NBR WRAS approved  
 Actuator: ABS Engineering Plastic

## RP-CN-X20-2BW FAILSAFE CLOSED Actuated Ball Valve | ½" – 2" sizes

### 12vDC Option

Range: DC 10v–15v

Moving only: **36 Watts**  
 Heater Power: **0.6 Watts**  
 Fuse: **10A**  
 Moving time: **15 Seconds**

### Order Codes:

½" 12vDC RP-CN-X20-2BW/FSC  
 ¾" 12vDC RP-CN-X20-2BW/FSC  
 1" 12vDC RP-CN-X20-2BW/FSC  
 1¼" 12vDC RP-CN-X20-2BW/FSC  
 1½" 12vDC RP-CN-X20-2BW/FSC  
 2" 12vDC RP-CN-X20-2BW/FSC

### 24vAC/DC (50/60Hz)

Range: AC 18v–26v; DC 22v–28v

Moving only: **36 Watts**  
 Heater Power: **0.6 Watts**  
 Fuse: **AC 4A; DC 10A**  
 Moving time: **10 Seconds**

### Order Codes:

½" 24vAC/DC RP-CN-X20-2BW/FSC  
 ¾" 24vAC/DC RP-CN-X20-2BW/FSC  
 1" 24vAC/DC RP-CN-X20-2BW/FSC  
 1¼" 24vAC/DC RP-CN-X20-2BW/FSC  
 1½" 24vAC/DC RP-CN-X20-2BW/FSC  
 2" 24vAC/DC RP-CN-X20-2BW/FSC

### 110–240vAC (50/60Hz)

Range: AC 95v–265v

Moving only: **36 Watts**  
 Heater Power: **0.6 Watts**  
 Fuse: **2A**  
 Moving time: **10 Seconds**

### Order Codes:

½" 110-240v RP-CN-X20-2BW/FSC  
 ¾" 110-240v RP-CN-X20-2BW/FSC  
 1" 110-240v RP-CN-X20-2BW/FSC  
 1¼" 110-240v RP-CN-X20-2BW/FSC  
 1½" 110-240v RP-CN-X20-2BW/FSC  
 2" 110-240v RP-CN-X20-2BW/FSC

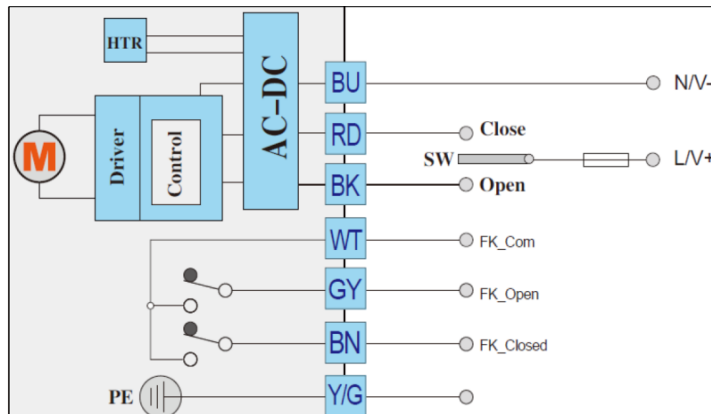
## Actuator overview—Points to note and follow:

- **DO NOT** remove the actuator cover at any point. Doing so will invalidate the warranty.
- **DO NOT** install upside-down. Vertical or horizontal installation is fine.
- This actuator has mechanical manual override function (*allen key supplied*).
- Actuator is rated IP67 (you can search online for full IP ratings, and what IS and ISN'T covered by IP67).
- Designed for safe area use. Actuator is **NOT ATEX** rated and is not designed for hazardous area use.

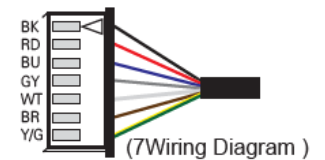
## Standard wiring for FAILSAFE CLOSED Actuator

Standard wiring for all available voltages; 12vDC, 24vAC/DC, 110–240vAC. Our **FAILSAFE CLOSED** actuators c/w 0.8m cable (16 wire gauge) with white micro 7 pin JST1.25 connector. Connector can be removed if not required.

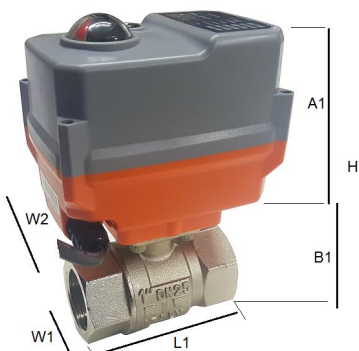
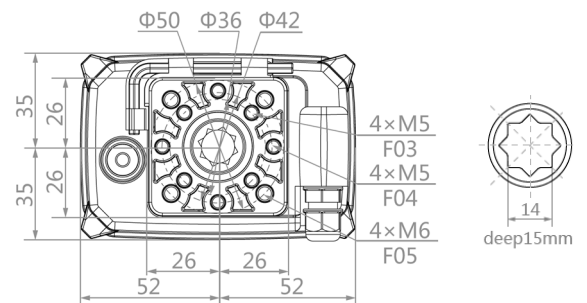
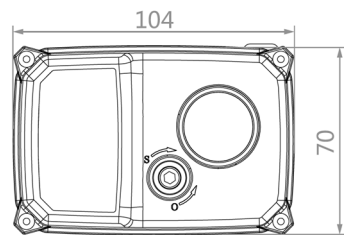
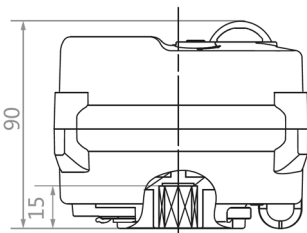
Note that the internal Space heater is pre wired and doesn't require additional wiring. When the actuator is powered, the internal heater will operate.



The actuator cable should come as a cut flying lead but may ship with our factory standard white PIN connector. Please remove and terminate as required. This fitting is purely for our test panels to enable quick testing of the product.



## Actuator Dimensions



## Overall Dimensions

Port	A1 (cm)	B1 (cm)	H (cm)	L1 (cm)	W1 (cm)	W2 (cm)	Orifice (mm)
1/2	8.5	4.5	13	6	3	6.5	15
3/4	8.5	5.5	14	7	4	6.5	20
1	8.5	6	14.5	8	5	6.5	25
1.1/4	8.5	7	15.5	9	6	6.5	32
1.1/2	8.5	9	17.5	10	7	6.5	40
2	8.5	11	19.5	12	9	6.5	50



## ROBERT PEARSON & COMPANY LTD

Post Office House, Post Office Lane  
Stockton, Warminster  
Wiltshire BA12 0SE

Telephone: (01985) 850954  
Facsimile: (01985) 850112

E-Mail: [sales@robertpearson.co.uk](mailto:sales@robertpearson.co.uk)  
Website: [www.robertpearson.co.uk](http://www.robertpearson.co.uk)