

Compact Failsafe Closed Actuated WRAS Ball Valve

Actuator available in 9–24vAC/DC option or 110–240vAC option



Does not get hot | Can be plumbed in either way round

When power is applied the RP/ABVM-Failsafe compact actuator will actuate the ball valve into the 'OPEN' position (This takes approximately 5 seconds) and will then recharge the internal capacitor (typically maximum 15 seconds charge period after each use). When in 'OPEN' position and recharged the actuator only takes reduced 'holding' power and the valve stays in that position. When electrical power is removed the actuator detects the power loss and draws power from its internal capacitor (electrical storage) which enables the ball valve to automatically return to the default 'CLOSED' position.

A 15 second (capacitor) charge period is required between operations.



Power

Moving: **5 Watts**
 Holding: **0.22 Watts (9–24vAC/DC option)**
0.6 Watts (110–240vAC option)

Media: **air – water – gases – liquid**
 Pressure range: **0 Bar – 10 Bar maximum**
 Media temperature: **–15°C to +100°C**
 Ambient temperature: **–15°C to +50°C**
 Media viscosity: **500 Centistokes max**
 Continuous duty: **100%**
 Duty cycle: **100,000**
 Operating time: **5 Sec approx.**

Valve Body: 304 stainless steel
 Seals: Stem 2 × FKM
 Ball – WRAS PTFE
 Actuator: ABS Engineering Plastic; Gears – Metal
 IP67 Enclosure; Torque – 2 Nm; Pre-wired – 0.5 metre;
 Visual position indication
 Option: Manual Override for 9–24vAC/DC only (**must be specified at time of order**)
 Option: Volt free position feedback switches (**must be specified at time of order**)

9–24vAC/DC Option

Suitable for water pressure:

0 Bar – 10 Bar

Failsafe CLOSED Order Codes:

1/2" RP/ABVM/9-24V/FSC
 3/4" RP/ABVM/9-24V/FSC
 1" RP/ABVM/9-24V/FSC

110–240vAC Option

Suitable for water pressure:

0 Bar – 10 Bar

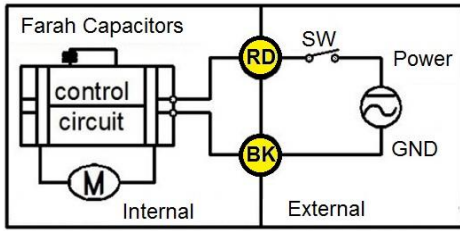
Failsafe CLOSED Order Codes:

1/2" RP/ABVM/110-240V/FSC
 3/4" RP/ABVM/110-240V/FSC
 1" RP/ABVM/110-240V/FSC

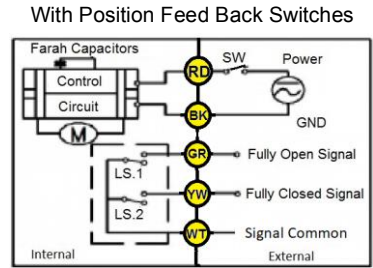
Option: Manual Override for 9–24vAC/DC only (**must be specified at time of order**)



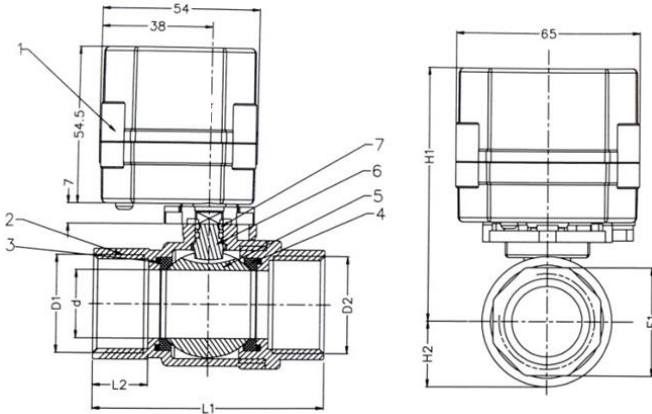
Wiring Diagrams



Failsafe Control.
 Power ON motor actuates valve into powered position.
 Valve stays in powered position.
 Power OFF motor actuates valve back to start position using reserve power.
 Valve stays in start position.



Overall Dimensions



Port D1/D2	d	L1	L2	E1	H1	H2	Kg
1/2	15	63	14	25	83	17	0.4
3/4	20	72	17	31	87	20	0.5
1	25	81	18	38	95	24	0.6

Reference	Description	Material
1	Actuator	ABS
2	Body Cover	SS304
3	O Ring	FKM
4	Sealing	PTFE
5	Ball	SS304
6	Stem	SS304
7	O Ring	FKM



ROBERT PEARSON & COMPANY LTD

Post Office House, Post Office Lane
 Stockton, Warminster
 Wiltshire BA12 0SE

Telephone: (01985) 850954
 Facsimile: (01985) 850112

E-Mail: sales@robertpearson.co.uk
 Website: www.robertpearson.co.uk