

TAP SENSOR CONTROL KITS—TECHNICAL

Anti-Ligature & Vandal Resistant: Ideal for custodial/mental health/public & commercial applications.

Optional Purge Facility: Available on both mains- and battery-powered kits, “Purge Facility” allows you to set the tap to come on automatically if it has not been normally operated for more than a 24 hour period (to help prevent dead legs).

Optional Lock-Out Facility: Available on mains-powered kits only, “Lock-Out Facility” ensures the tap will stop working if it has been operated more than 4 times in 15 minutes (will automatically re-set itself after 15 minutes).

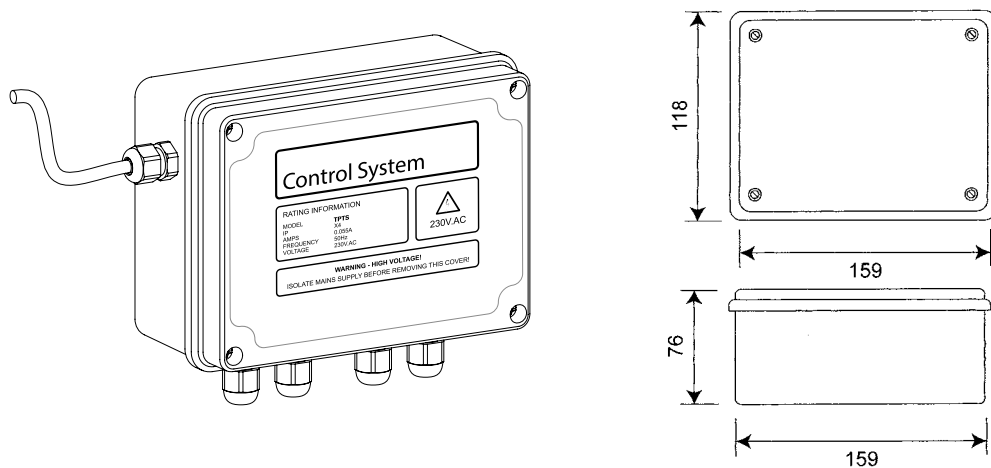
You can also set the system so you can activate the sensor once to turn the water on and then activate the sensor again to override the pre-set time and turn the water off immediately. It is possible to use 1 No. sensor to control 2 No. solenoid valves using a single control box.

If you require a longer sensing range (e.g. set to the length of the tap spout) or would like the sensor mounted directly below the tap spout you can choose our brushed stainless steel Programmable Tap Sensors with plain, blue or red inserts (to denote water temperature).

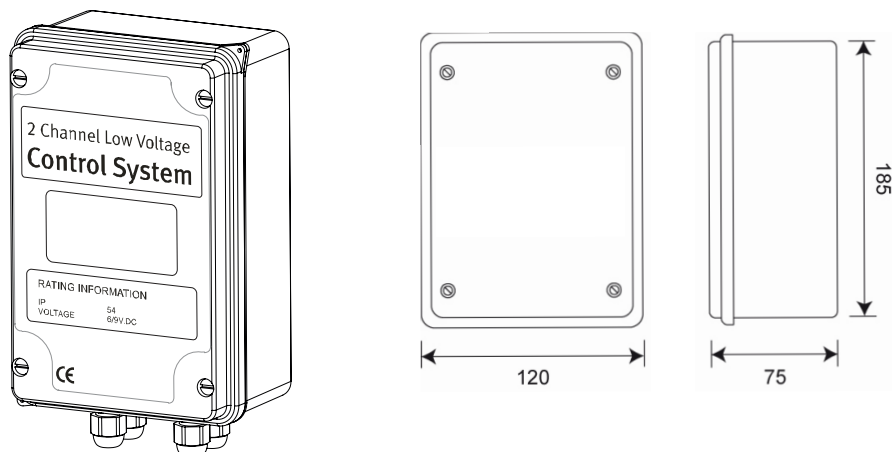
Control Box

Standard tap control box with adjustable valve open time from 6 seconds to 20 seconds. *Call to discuss* for options if you require a longer valve open time.

Mains powered: You need to provide a 3 amp fused spur.



Battery powered





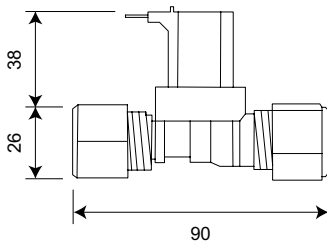
WRAS approved Solenoid Valves

Please specify correct solenoid valves for your site conditions: for low pressure solenoid valves replace "HP" with "LP" in order codes. Very low pressure solenoid valves are only available for battery powered kits. Replace "HP" with "VLP" in order codes.

For mains powered kits Standard high pressure (HP) 0.5 Bar – 6 Bar

12v nylon pre-wired 15mm solenoid valve for mains powered kits.

Working Temperature Range 0°C to 60°C
Electrical connection: Spade connectors / 2-core Ø0.5mm copper cable



ORDER CODE
15mm 12v Plastic HP Valve

TECHNICAL DATA

Gross weight 0.215 kg
Material Nylon
Seal Material NBR (Nitrile)
Voltage 12vDC
Power 3W
Connection 15mm compression
Pressure rating 0.5 Bar – 6 Bar
Operation type Normally closed
Cable length 3m

For mains powered kits Optional low pressure (LP) 0 Bar – 0.5 Bar maximum

12v (7.1mm orifice) solenoid valve for mains powered kits.

You will need to provide length of 2 core cable from valve to control box.

ORDER CODE
15mm 12v (7.1mm) Valve

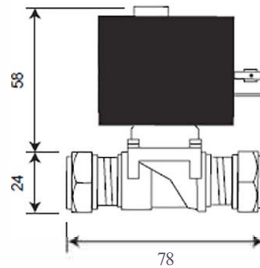
TECHNICAL DATA

Material ABS/Brass
O-ring/washers..... Nitrile
Pressure rating 0 Bar – 0.5 Bar max.
Orifice 7.1mm
Connection 15mm compression
Voltage 12vDC
Operation type Normally closed

For battery powered kits Standard high pressure (HP) 0.75 Bar – 10 Bar

6v non-wired G202 solenoid valve for battery powered kits.

You will need to provide length of 2 core cable from valve to control box.



ORDER CODE
15mm 6v G202 Valve

TECHNICAL DATA

Material ABS/Brass
O-ring/washers..... Nitrile
Pressure rating 0.75 Bar – 10 Bar
Orifice 12.7mm
Connection 15mm compression
Voltage 6vDC
Operation type Latching

For battery powered kits Optional low pressure (LP) 0 Bar – 1.5 Bar maximum

6v (4mm orifice) solenoid valve for battery powered kits.

You will need to provide length of 2 core cable from valve to control box.

ORDER CODE
15mm 6v (4mm) Valve

TECHNICAL DATA

Material ABS/Brass
O-ring/washers..... Nitrile
Pressure rating 0 Bar – 1.5 Bar max.
Orifice 4mm
Connection 15mm compression
Voltage 6vDC
Operation type Latching

For battery powered kits Optional very low pressure (VLP) 0 Bar – 0.5 Bar maximum

6v (6.7mm orifice) solenoid valve for battery powered kits.

You will need to provide length of 2 core cable from valve to control box.

ORDER CODE
15mm 6v (6.7mm) Valve

TECHNICAL DATA

Material ABS/Brass
O-ring/washers..... Nitrile
Pressure rating 0 Bar – 0.5 Bar max.
Orifice 6.7mm
Connection 15mm compression
Voltage 6vDC
Operation type Latching



ROBERT PEARSON & COMPANY LTD

Post Office House, Post Office Lane
Stockton, Warminster
Wiltshire BA12 0SE

Telephone: (01985) 850954
Facsimile: (01985) 850112

E-Mail: sales@robertpearson.co.uk
Website: www.robertpearson.co.uk