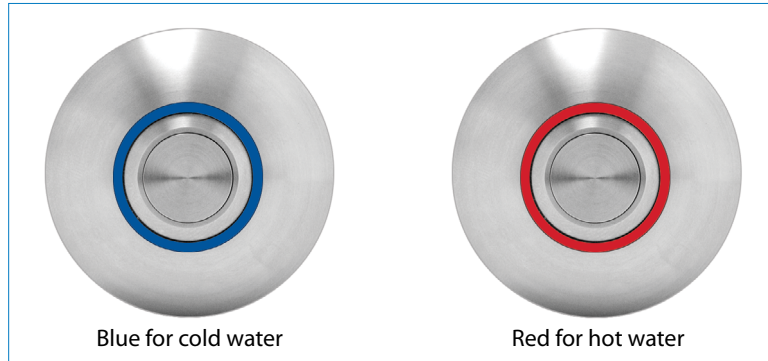


# TAP TOUCHPAD SWITCH CONTROLS

Lightly press the touchpad switch to turn water on. Turns water off automatically after use

You can choose your own tap spout or one of ours. Touchpad switch is fitted remotely.

## Electronic brushed steel Tap Touchpad Switch kits



### Mains Powered (0.5 Bar - 6 Bar)

#### TPTS-M/HP/1 Tap Touchpad kit

- 1 no. Mains-powered tap control box
- 1 no. 15mm Plastic 12V solenoid valve
- 1 no. Touchpad switch (specify colour)

#### TPTS-M/HP/2 Tap Touchpad kit

- 1 no. Mains-powered tap control box
- 2 no. 15mm Plastic 12V solenoid valve
- 2 no. Touchpad switch: 1 red, 1 blue

### Battery Powered (0.75 Bar - 10 Bar)

#### TPTS-B/HP/1 Tap Touchpad kit

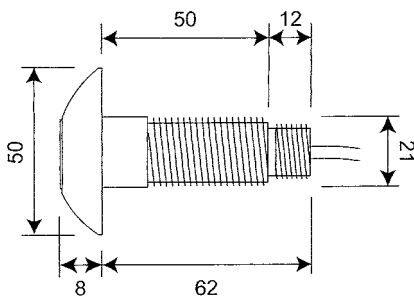
- 1 no. Battery-powered tap control box
- 1 no. 15mm G202 6V solenoid valve
- 1 no. Touchpad switch (specify colour)

#### TPTS-B/HP/2 Tap Touchpad kit

- 1 no. Battery-powered tap control box
- 2 no. 15mm G202 6V solenoid valve
- 2 no. Touchpad switch: 1 red, 1 blue

## Touchpad Switch:

If fitting touchpad switch through a thick (e.g. brick) wall, we can supply extension threads. Standard pre-wired touchpad switch c/w 3m cable. Longer cable lengths available. *Call to discuss.*



### TOUCHPAD SWITCH

- Bezel diameter ..... Ø50mm
- Overall length ..... 70mm
- Thread length ..... 50mm
- Thread material ..... Stainless Steel
- Pre-wired ..... YES
- Cable length ..... 3m standard
- Finish ..... Brushed Steel
- Insert colour ..... Plain
- Red (denotes hot)
- Blue (denotes cold)

Typical installation: **This could be your own spout**  
(or choose one of ours)

*TPTS model stainless steel tap touchpad switch pictured with our 'Twist-and-Lock' panel mounted steel healthcare spout*



# TAP SENSOR CONTROL KITS—TECHNICAL

**Anti-Ligature & Vandal Resistant:** Ideal for custodial/mental health/public & commercial applications.

**Optional Purge Facility:** Available on both mains- and battery-powered kits, “Purge Facility” allows you to set the tap to come on automatically if it has not been normally operated for more than a 24 hour period (to help prevent dead legs).

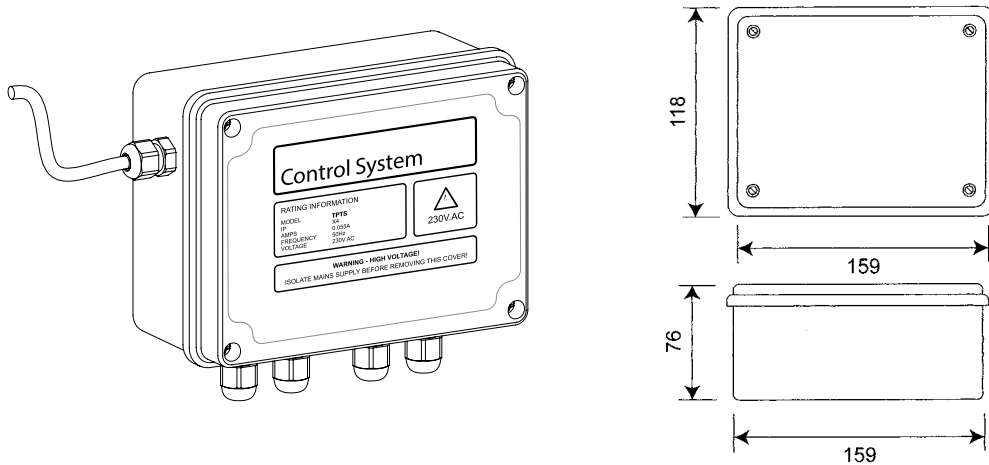
**Optional Lock-Out Facility:** Available on mains-powered kits only, “Lock-Out Facility” ensures the tap will stop working if it has been operated more than 4 times in 15 minutes (will automatically re-set itself after 15 minutes).

You can also set the system so you can activate the touchpad once to turn the water on and then activate the touchpad again to override the pre-set time and turn the water off immediately. It is possible to use 1 No. touchpad to control 2 No. solenoid valves using a single control box.

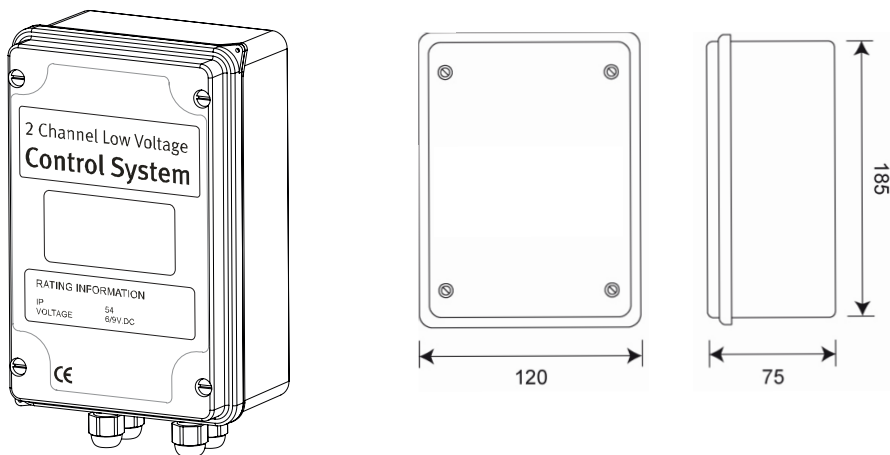
## Control Box

Standard tap control box with adjustable valve open time from 6 seconds to 20 seconds. *Call to discuss* for options if you require a longer valve open time.

**Mains powered:** You need to provide a 3 amp fused spur.



## Battery powered





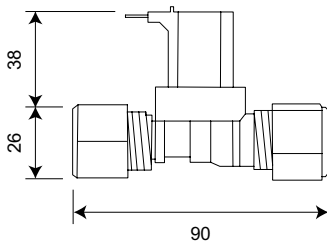
## WRAS approved Solenoid Valves

Please specify correct solenoid valves for your site conditions: for low pressure solenoid valves replace "HP" with "LP" in order codes. Very low pressure solenoid valves are only available for battery powered kits. Replace "HP" with "VLP" in order codes.

### For mains powered kits Standard high pressure (HP) 0.5 Bar – 6 Bar

12v nylon pre-wired 15mm solenoid valve for mains powered kits.

Working Temperature Range 0°C to 60°C  
Electrical connection: Spade connectors / 2-core Ø0.5mm copper cable



**ORDER CODE**  
15mm 12v Plastic HP Valve

#### TECHNICAL DATA

Gross weight ..... 0.215 kg  
Material ..... Nylon  
Seal Material ..... NBR (Nitrile)  
Voltage ..... 12vDC  
Power ..... 3W  
Connection ..... 15mm compression  
Pressure rating ..... 0.5 Bar – 6 Bar  
Operation type ..... Normally closed  
Cable length ..... 3m

### For mains powered kits Optional low pressure (LP) 0 Bar – 0.5 Bar maximum

12v (7.1mm orifice) solenoid valve for mains powered kits.

You will need to provide length of 2 core cable from valve to control box.

**ORDER CODE**  
15mm 12v (7.1mm) Valve

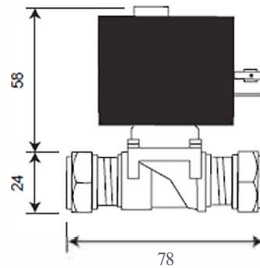
#### TECHNICAL DATA

Material ..... ABS/Brass  
O-ring/washers..... Nitrile  
Pressure rating ..... 0 Bar – 0.5 Bar max.  
Orifice ..... 7.1mm  
Connection ..... 15mm compression  
Voltage ..... 12vDC  
Operation type ..... Normally closed

### For battery powered kits Standard high pressure (HP) 0.75 Bar – 10 Bar

6v non-wired G202 solenoid valve for battery powered kits.

You will need to provide length of 2 core cable from valve to control box.



**ORDER CODE**  
15mm 6v G202 Valve

#### TECHNICAL DATA

Material ..... ABS/Brass  
O-ring/washers..... Nitrile  
Pressure rating ..... 0.75 Bar – 10 Bar  
Orifice ..... 12.7mm  
Connection ..... 15mm compression  
Voltage ..... 6vDC  
Operation type ..... Latching

### For battery powered kits Optional low pressure (LP) 0 Bar – 1.5 Bar maximum

6v (4mm orifice) solenoid valve for battery powered kits.

You will need to provide length of 2 core cable from valve to control box.

**ORDER CODE**  
15mm 6v (4mm) Valve

#### TECHNICAL DATA

Material ..... ABS/Brass  
O-ring/washers..... Nitrile  
Pressure rating ..... 0 Bar – 1.5 Bar max.  
Orifice ..... 4mm  
Connection ..... 15mm compression  
Voltage ..... 6vDC  
Operation type ..... Latching

### For battery powered kits Optional very low pressure (VLP) 0 Bar – 0.5 Bar maximum

6v (6.7mm orifice) solenoid valve for battery powered kits.

You will need to provide length of 2 core cable from valve to control box.

**ORDER CODE**  
15mm 6v (6.7mm) Valve

#### TECHNICAL DATA

Material ..... ABS/Brass  
O-ring/washers..... Nitrile  
Pressure rating ..... 0 Bar – 0.5 Bar max.  
Orifice ..... 6.7mm  
Connection ..... 15mm compression  
Voltage ..... 6vDC  
Operation type ..... Latching



# ROBERT PEARSON & COMPANY LTD

Post Office House, Post Office Lane  
Stockton, Warminster  
Wiltshire BA12 0SE

Telephone: (01985) 850954  
Facsimile: (01985) 850112

E-Mail: sales@robertpearson.co.uk  
Website: www.robertpearson.co.uk