

WATER SAVING “NO TOUCH” URINAL FLUSHVALVES

Water savings of over 90% have been achieved

Can help achieve BREEAM Credits*

*BREEAM is a registered trade mark of the BRE Group and is used by permission.
Robert Pearson & Company Ltd and its products are not affiliated, endorsed or certified by BRE Global or its affiliates. All rights are reserved.



Standard Domed 50mm Stainless Steel Sensor

HP Mains Powered Kits

SBUFC(V2)-M/HP/SS/1 Bowl Kit

- 1 no. Mains-powered urinal control box
- 1 no. 15mm Plastic 12V solenoid valve
- 1 no. Sensor c/w 50mm steel bezel

SBUFC(V2)-M/HP/SS/2 Bowl Kit

- 1 no. Mains-powered urinal control box
- 2 no. 15mm Plastic 12V solenoid valve
- 2 no. Sensor c/w 50mm steel bezel

LP Mains Powered Kits

SBUFC(V2)-M/LP/SS/1 Bowl Kit

- 1 no. Mains-powered urinal control box
- 1 no. 15mm 12v (7.1mm) valve
- 1 no. Sensor c/w 50mm steel bezel

SBUFC(V2)-M/LP/SS/2 Bowl Kit

- 1 no. Mains-powered urinal control box
- 2 no. 15mm 12v (7.1mm) valve
- 2 no. Sensor c/w 50mm steel bezel

Optional Domed 50mm Chrome Sensor

HP Mains Powered Kits

SBUFC(V2)-M/HP/CHR/1 Bowl Kit

- 1 no. Mains-powered urinal control box
- 1 no. 15mm Plastic 12V solenoid valve
- 1 no. Sensor c/w 50mm chrome bezel

SBUFC(V2)-M/HP/CHR/2 Bowl Kit

- 1 no. Mains-powered urinal control box
- 2 no. 15mm Plastic 12V solenoid valve
- 2 no. Sensor c/w 50mm chrome bezel

LP Mains Powered Kits

SBUFC(V2)-M/LP/CHR/1 Bowl Kit

- 1 no. Mains-powered urinal control box
- 1 no. 15mm 12v (7.1mm) valve
- 1 no. Sensor c/w 50mm chrome bezel

SBUFC(V2)-M/LP/CHR/2 Bowl Kit

- 1 no. Mains-powered urinal control box
- 2 no. 15mm 12v (7.1mm) valve
- 2 no. Sensor c/w 50mm chrome bezel

Optional Domed 50mm Black Sensor

HP Mains Powered Kits

SBUFC(V2)-M/HP/MB3/1 Bowl Kit

- 1 no. Mains-powered urinal control box
- 1 no. 15mm Plastic 12V solenoid valve
- 1 no. Sensor c/w 50mm black bezel

SBUFC(V2)-M/HP/MB3/2 Bowl Kit

- 1 no. Mains-powered urinal control box
- 2 no. 15mm Plastic 12V solenoid valve
- 2 no. Sensor c/w 50mm black bezel

LP Mains Powered Kits

SBUFC(V2)-M/LP/MB3/1 Bowl Kit

- 1 no. Mains-powered urinal control box
- 1 no. 15mm 12v (7.1mm) valve
- 1 no. Sensor c/w 50mm black bezel

SBUFC(V2)-M/LP/MB3/2 Bowl Kit

- 1 no. Mains-powered urinal control box
- 2 no. 15mm 12v (7.1mm) valve
- 2 no. Sensor c/w 50mm black bezel

SBUFC(v2)—TECHNICAL



Optional Flat 36mm Stainless Steel Sensor

HP Mains Powered Kits

SBUFC(V2)-M/HP/36mm/1 Bowl Kit

- 1 no. Mains-powered urinal control box
- 1 no. 15mm Plastic 12V solenoid valve
- 1 no. Sensor c/w 36mm flat steel bezel

SBUFC(V2)-M/HP/36mm/2 Bowl Kit

- 1 no. Mains-powered urinal control box
- 2 no. 15mm Plastic 12V solenoid valve
- 2 no. Sensor c/w 36mm flat steel bezel

LP Mains Powered Kits

SBUFC(V2)-M/LP/36mm/1 Bowl Kit

- 1 no. Mains-powered urinal control box
- 1 no. 15mm 12v (7.1mm) valve
- 1 no. Sensor c/w 36mm flat steel bezel

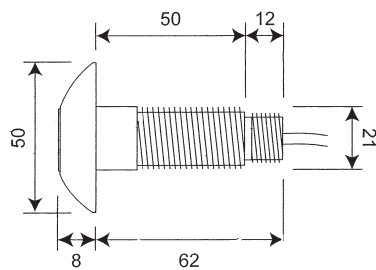
SBUFC(V2)-M/LP/36mm/2 Bowl Kit

- 1 no. Mains-powered urinal control box
- 2 no. 15mm 12v (7.1mm) valve
- 2 no. Sensor c/w 36mm flat steel bezel

All urinal bowls are fitted with an individual presence detector which is recessed into the panel directly above each urinal bowl, and thus only the urinal bowl that has actually been used will get flushed. Flushing will only occur if a person has been constantly detected by the sensor for at least 10 seconds (this is to prevent false triggering if someone just walks down the line of urinal bowls) and the flush happens within a few seconds of that person walking away out of detection range of the sensor. Optional programmable automatic hygiene flush.

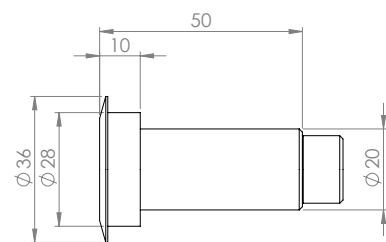
Sensor / Touchpad Switch

Ensure no bright lights (or reflected lights) are shining directly into sensor. If fitting sensor/touchpad through a thick (e.g. brick) wall, we can supply extension threads. Standard pre-wired sensor c/w 3m cable. Longer cable lengths available. *Call to discuss.*



50mm SENSOR

- Bezel diameter Ø50mm
- Overall length 70mm
- Thread length 50mm
- Thread material ABS Plastic
- Pre-wired YES
- Cable length 3m standard
- Finishes Brushed Steel
Chrome
Powder-coated



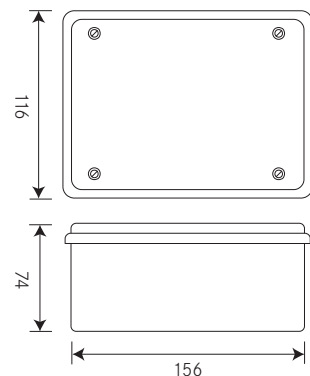
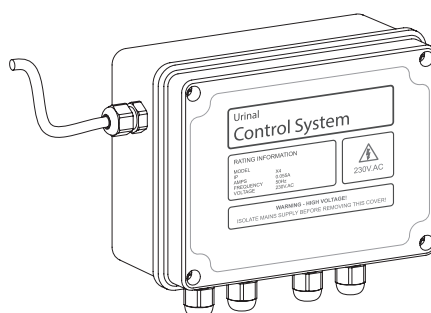
36mm FLAT SENSOR

- Bezel diameter Ø36mm
- Overall length 60mm
- Thread length 40mm
- Thread material ABS Plastic
- Pre-wired YES
- Cable length 3m standard
- Finishes Brushed Steel

Control Box

Standard tap control box with adjustable valve open time from 1 seconds to 15 seconds. You need to provide a 3 amp fused spur.

Optional combined pre-flush and purge facility: The pre-flush opens the valve for 1 second after the first 2 seconds of detection. This helps to prevent splashing by wetting the urinal bowl. After the pre-flush the timing continues. The purge is initiated every 12 hours of non-use on either channel. This helps reduce smells from the urinal during periods of non-use.



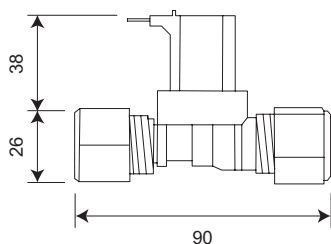


WRAS approved Solenoid Valves

For mains powered kits Standard high pressure (HP) 0.5 Bar – 6 Bar

12v nylon pre-wired 15mm solenoid valve for mains powered kits.

Working Temperature Range 0°C to 60°C
Electrical connection: Spade connectors / 2-core Ø0.5mm copper cable



ORDER CODE 15mm 12v Plastic HP Valve

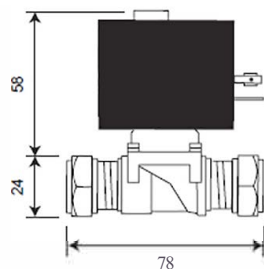
TECHNICAL DATA

Gross weight 0.215 kg
Material Nylon
Seal Material NBR (Nitrile)
Voltage 12vDC
Power 3W
Connection 15mm compression
Pressure rating 0.5 Bar – 6 Bar
Operation type Normally closed
Cable length 3m

For mains powered kits Optional low pressure (LP) 0 Bar – 0.5 Bar maximum

12v (7.1mm orifice) solenoid valve for mains powered kits.

You will need to provide length of 2 core cable from valve to control box.



ORDER CODE 15mm 12v (7.1mm) Valve

TECHNICAL DATA

Material ABS/Brass
O-ring/washers Nitrile
Pressure rating 0 Bar – 0.5 Bar max.
Orifice 7.1mm
Connection 15mm compression
Voltage 12vDC
Operation type Normally closed



ROBERT PEARSON & COMPANY LTD

Post Office House, Post Office Lane
Stockton, Warminster
Wiltshire BA12 0SE

Telephone: (01985) 850954
Facsimile: (01985) 850112
E-Mail: sales@robertpearson.co.uk
Website: www.robertpearson.co.uk