

# PROGRAMMABLE SENSOR OPERATED 'AUTO' WC FLUSHVALVE for our HIGH SECURITY WC PANS

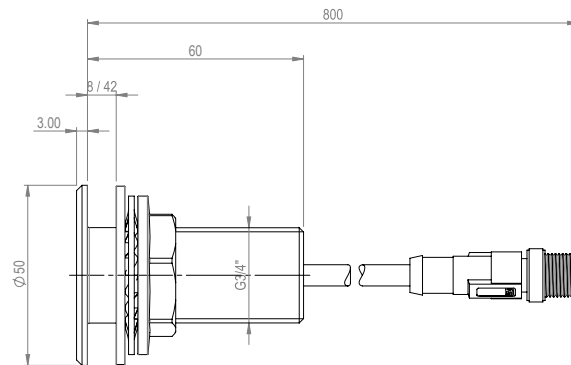
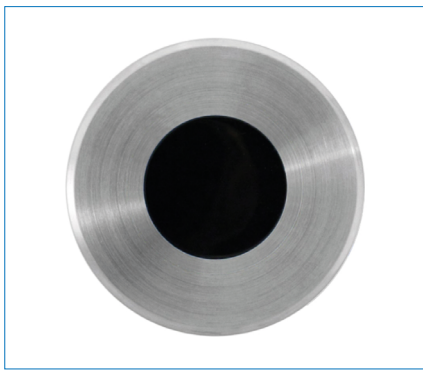
## Vandal Resistant and Anti-Ligature

**Reduce Maintenance:** No mechanical handles or linkages to break. Helps reduce blockages.

### Remote Programmable AUTO WC Sensor for High Security WC Pan

The Panel Mounted Programmable Auto WC Sensor is available in brushed stainless steel. You will need to purchase a hand held programmer to adjust settings by yourself on site. The Programmable AUTO WC Sensor always requires a stand-alone control box.

Fit the sensor directly behind where a person sits on the WC pan, so the sensor is aiming at the person's lower back. (Make sure the WC pan does not have a seat or lid which when put up would obscure the sensor.) When a person sits on the WC, the person is detected. When the person finishes and leaves the sensing area for longer than a short (pre-set but adjustable) period, the WC will automatically be flushed.



#### Auto WC Sensor Kit Order Codes:

##### PensWC-AUTO-M

Mains powered Auto WC sensor kit

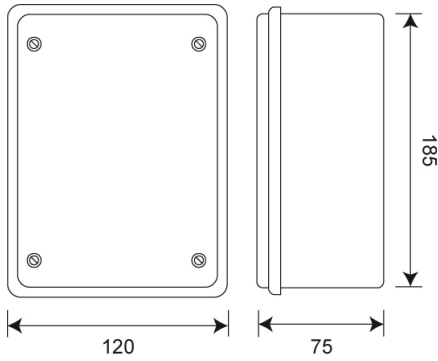
##### PsensWC-AUTO-B

Battery powered Auto WC sensor kit

**Each Kit comes with:** 1 x pre-wired Flushing Valve, 1 x Control Box and 1 x pre-wired Programmable Sensor. Programmable sensor is pre-wired with 0.8m cable as standard. Extension 'D'-leads available. If required, please contact us.

#### Technical Data:

<b>Cut-out hole</b>	Panel mounted (Ø28mm drill hole required).
<b>Sensing range</b>	Default 5. Adjustable 1 – 10.
<b>User Detect Time</b>	Default 5 seconds. Adjustable between 1 – 10 seconds. This is the time the sensor needs to constantly detect a person for before going on to a flush mode.
<b>Dual Detect Time</b>	Default 20 seconds. Adjustable 10, 12, 14, 16, 18, 20, 22, 24, 26 & 28 seconds. If a person finishes and leaves the sensing area before the end of this time, the system will only provide a half flush.
<b>Flush Times</b>	Default 4 seconds. Adjustable 2, 2.5, 3, 3.5, 4, 3/4.5, 3/5, 3.5/5.5, 4/6 & 6.5 seconds. This is the length of time the valve will open for on each flush. Where it states (eg) 3/5, this means 3 Lpm ("Half" flush) / 5 Lpm ("Full" flush).
<b>Walk Away Time</b>	Default 2 seconds. Adjustable 1, 1.5, 2, 2.5, 3, 3.5, 4, 4.5, 5 & 5.5 seconds. This is the delay time after the sensor has stopped detecting someone before the system will activate the flush.
<b>Automatic Purge</b>	Default OFF. When set to ON the system will create a Purge Flush if the WC has not been used for your choice of 3, 6, 12, 24, 36, 48 or 72 hours.
<b>Purge Run Times</b>	Default 4 seconds. Adjustable 2, 3, 3.5, 4, 4.5, 5, 5.5, 6 & 6.5 seconds. This is the length of time the valve will open for on each Purge flush.
<b>Lock Outs</b>	Default OFF. When set to ON the system will Lock-Out for 15 minutes if more than 2 -10 operations (adjustable) have occurred in a single 15 minute period. The Lock-Out will automatically re-set itself at the end of the 15 minute period.



### Mains WC Control Box —Low Voltage

**Electrical supply:** 9v DC mains PSU.  
Amps: 0.14A (max.). You need to supply 3 amp fused spur.

**Control box dimensions:** 120mm (w) x 185mm (h) x 75mm (d)

**Control box weight:** 1kg

### Battery Control Box

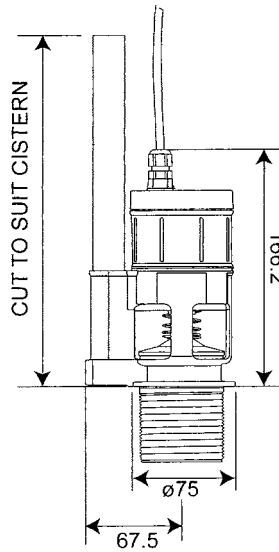
**Electrical supply:**  
9v DC from 6 x 'C'-cell battery pack.  
Amps: 0.14A (max.)

**Control box dimensions:**  
120mm (w) x 185mm (h) x 75mm (d)

**Control box weight:** 1kg

## Pre-wired Flushvalve (2")

Optional 1.5" base version available if specified



2" base connection for compatibility with our flat bottomed cisterns c/w 2" flush pipe. Valve c/w internal overflow pipe.

Valve open time adjustable from 1–6 seconds per flush. 1 second = 1 litre *approx.* Once a flush has been activated there is a 30 second delay (*approx.*) before the next flush can work to prevent abuse of the system.

### Dual flush also available

2 Sensors can be wired to a single control box. Sensor no. 1 will produce a full flush whilst Sensor no. 2 will produce a half flush resulting in **Extra Water Savings.**



## ROBERT PEARSON & COMPANY LTD

Post Office House, Post Office Lane  
Stockton, Warminster  
Wiltshire BA12 0SE

Telephone: (01985) 850954  
Facsimile: (01985) 850112

E-Mail: [sales@robertpearson.co.uk](mailto:sales@robertpearson.co.uk)  
Website: [www.robertpearson.co.uk](http://www.robertpearson.co.uk)