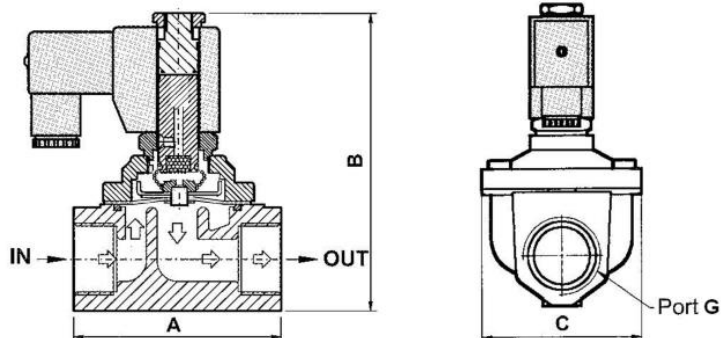


Zero-Rated Normally Open Solenoid Valves

Zero-Rated 230v RP/PU2-20 Normally OPEN Solenoid Valves

- Mount coil upright
- It is recommended that you fit strainers to protect the valves from debris
- Optional 12vDC or 24v available on request
- Optional magnetic valve opener. Allows you to close valve without power
- Voltage $\pm 10\%$. Continuous Duty 100%



BSP	1/2	3/4	1
A	66.5	71.0	96.0
B	101.0	107.0	120.5
C	48.0	58.0	70.0
Kg	0.715	0.945	1.485

Standard c/w 15 Watt Coil

Suitable for water pressure:

0 Bar – 7 Bar (AC Coils)

Order Codes LP(v2):

1/2" 230v RP/PU2-20 N-OPEN
 3/4" 230v RP/PU2-20 N-OPEN
 1" 230v RP/PU2-20 N-OPEN

Power Absorption:

Inrush	Holding
23 vA	17 vA

Optional c/w 18.5 Watt Coil

Suitable for water pressure:

0 Bar – 12 Bar (AC Coils)
 0 Bar – 12 Bar (DC Coils)

Order Codes LP(v2):

1/2" 230v RP/PU2-20/18.5W N-OPEN
 3/4" 230v RP/PU2-20/18.5W N-OPEN
 1" 230v RP/PU2-20/18.5W N-OPEN

Power Absorption:

Inrush	Holding
33 vA	24 vA

Media: air – water – light oil - vacuum

Media temperature: -40°C to 150°C

Ambient temperature: -20°C to 60°C

Opening/closing time: 50 mSec max

Media viscosity: 50 Centistokes max

Body: Forged Brass

Tube and internal parts: Stainless steel

Seals and gaskets: NBR standard
 (Optional EPDM, or FKM)



ROBERT PEARSON & COMPANY LTD

Post Office House, Post Office Lane
 Stockton, Warminster
 Wiltshire BA12 0SE

Telephone: (01985) 850954

Facsimile: (01985) 850112

E-Mail: sales@robertpearson.co.uk

Website: www.robertpearson.co.uk